

## GENERAL NOTES

- THIS INFORMATION CONFORMS TO ALL APPLICABLE STANDARDS FOR FIRE TRAINING SIMULATORS AT THE TIME OF PREPARATION.
- THE ERECTION CONTRACTOR ASSUMES RESPONSIBILITY FOR ALL MATERIALS. AT THE TIME OF DELIVERY. THIS CONTRACTOR IS ALSO RESPONSIBLE TO ACCOUNT FOR ALL MATERIAL, AT TIME OF DELIVERY. IF THERE IS A DISCREPANCY IN THE MATERIAL DELIVERED, CONTACT WHP TRAININGTOWERS IMMEDIATELY IN ORDER TO MAKE PROPER ARRANGEMENTS TO PROVIDE THE NECESSARY MATERIAL.
- THIS SET OF DRAWINGS IS INTENDED AS A CONCEPTUAL SET, PROVIDED FOR SECONDARY REFERENCE ONLY. REFER TO BEHLEN INDUSTRIES CONSTRUCTION DRAWINGS AND THE MISCELLANEOUS METALS DRAWINGS AS PRIMARY REFERENCE FOR EXACT MATERIAL DIMENSIONS, ERECTION, AND PROCEDURES.
- THESE DRAWINGS, SPECIFICATIONS, IDEAS, DESIGNS, AND ARRANGEMENTS ARE AND SHALL REMAIN THE PROPERTY OF WHP TRAININGTOWERS AND NO PART THERE OF SHALL BE COPIED, REPRODUCED, OR USED IN CONNECTION WITH ANY WORK OR PROJECT OTHER THAN THE SPECIFIC PROJECT FOR WHICH THEY HAVE BEEN PREPARED WITHOUT WRITTEN CONSENT FROM WHP TRAININGTOWERS.
- WRITTEN DIMENSIONS ON THESE DRAWINGS SHALL TAKE PRECEDENCE OVER SCALED DIMENSIONS. INSTALLING CONTRACTORS OR OWNERS SHALL VERIFY AND BE RESPONSIBLE FOR ALL DIMENSIONS AND CONDITIONS ON THE JOB AND WHP TRAININGTOWERS SHALL BE NOTIFIED IMMEDIATELY OF ANY VARIATIONS OR DISCREPANCIES FROM THE DIMENSIONS AND CONDITIONS SHOWN BY THESE DRAWINGS. ANY FIELD CHANGES OR MODIFICATIONS TO EITHER THE STRUCTURE OR ADDITIVE COMPONENTS MUST BE REPORTED AND APPROVED BY WHP TRAININGTOWERS PRIOR TO PERFORMING ANY WORK.
- MISCELLANEOUS FIELD CUTTING AND FITTING OF BOTH STRUCTURAL AS WELL AS LIGHT GAUGE FRAMING COMPONENTS WILL BE NECESSARY TO BE ABLE TO PERFORM STANDARD CONDITION AND REQUIREMENT FOR ERECTION OF THIS LIVE FIRE TRAINING SIMULATOR AND ITS COMPONENTS.
- DOORS SHALL BE PAINTED 18 GA HOT-DIPPED GALVANIZED HOLLOW METAL SLABS WITH CONTINUOUSLY WELDED SEAMS. DOOR FRAMES SHALL BE 1" PAINTED 16 GA HOT-DIPPED GALVANIZED FRAMES. EACH EXTERIOR NON-BURN ROOM DOOR SHALL BE PROVIDED WITH (1) HEAVY-DUTY STAINLESS STEEL BALL BEARING HINGES, (1) COMMERCIAL GRADE KEYED LOCKSET, AND (2) DOOR MUTES. EACH INTERIOR NON-BURN ROOM DOOR SHALL BE PROVIDED WITH (3) HEAVY-DUTY STAINLESS STEEL BALL BEARING HINGES, (1) COMMERCIAL GRADE PASSAGE SET, AND (2) DOOR MUTES. EACH BURN ROOM DOOR SHALL BE PROVIDED WITH (3) HEAVY-DUTY STAINLESS STEEL BALL BEARING HINGES, (2) SPRING-TYPE CLOSING DEVICES, (1) DOOR PULL, (1) ADJUSTABLE BALL CATCH, AND (1) 8" LOCKABLE BARREL BOLT FOR USE IN SECURING THE BUILDING WHEN NOT IN USE. ANY DOUBLE DOORS SHALL BE PROVIDED WITH (1) METAL DISTRIALS. ALL DOOR FRAMES THAT DO NOT SIT ON THE CONCRETE STEM WALL SHALL EXTEND 6" FROM THE BOTTOM OF DOOR SLAB. ALL DOORS SHALL HAVE (1) HIGH-TEMP DOOR SWEEP INSTALLED ON THE OUTSWING SIDE OF THE DOOR. THE DOOR SWEEP SHALL DRAG AGAINST THE FINISHED FLOOR LEVEL.
- WINDOW CLOSURES SHALL BE PAINTED 12 GA HOT-DIPPED GALVANIZED SINGLE LEAVES WITH A 1" DEEP PAN FRAME DESIGN. EACH NON-BURN ROOM CLOSURE ACCESSIBLE FROM THE GROUND SHALL BE PROVIDED WITH (1) STAINLESS STEEL CONTINUOUS HINGE, (1) SLAM LATCH, (1) KEYED LEVER ON THE EXTERIOR SIDE OF THE CLOSURE, AND (1) PASSAGE LEVER ON THE INTERIOR SIDE OF THE CLOSURE. EACH NON-BURN ROOM CLOSURE NOT ACCESSIBLE FROM THE GROUND SHALL BE PROVIDED WITH (1) STAINLESS STEEL CONTINUOUS HINGE, (1) SLAM LATCH, (1) PASSAGE LEVER ON THE EXTERIOR SIDE OF THE CLOSURE, AND (1) PASSAGE LEVER ON THE INTERIOR SIDE OF THE CLOSURE. EACH BURN ROOM CLOSURE SHALL BE PROVIDED WITH ONE OF THE ABOVE HARDWARE SETS AND SHALL INCLUDE (3) "PADGENTIE" MOUNTING CHANNELS WELDED ON THE INTERIOR SIDE OF THE CLOSURE. ALL CLOSURES SHALL BE INSTALLED WITH EQUAL SPACING BETWEEN THE FRAMED OPENING AND THE CLOSURE PAN. ALL SILL ELEVATIONS SHALL BE 42" ABOVE FINISHED FLOOR ELEVATION.
- FLOOR DECKS ABOVE GRADE SHALL BE CONCRETE OVER GALVANIZED 1.5" "C" DECK FASTENED DIRECTLY TO FLOOR JOISTS USING SELF-DRILLING/SELF-THREADING TEK SCREW FASTENERS AT 6" O.C. INCREMENTS. ALL FLOOR DECKS SHALL REQUIRE FIELD CUTTING AND FITTING AS REQUIRED TO ACCOMMODATE THE BUILDING CONFIGURATION. CONCRETE FILL SHALL BE 4" IN DEPTH. CONCRETE SHALL BE A SMALL AGGREGATE CONCRETE WITH FIBER MESH REINFORCING. CONCRETE SHALL BE PITCHED TO EXTERIOR WALLS AND DOOR OPENINGS. FINISH SHALL BE A LIGHT BROOM FINISH. (CONCRETE FILL BY OTHERS)
- ALL CORRUGATED ROOF AND WALL PANELS ARE TO BE PREFINISHED IN ONE OF 13 STANDARD COLORS. COMPOUND CORRUGATED WALL PANELS ARE 3'-5" WIDE AND 4 1/2" DEEP. COMPOUND CORRUGATED ROOF PANELS ARE TO BE 3'-5" WIDE AND 7 1/2" DEEP. ALL WALL AND ROOF PANELS ARE TO BE BOLTED AT 6" O.C. INCREMENTS UTILIZING 3/8" DIAMETER BOLT FASTENERS PROVIDED IN A COLOR TO MATCH THE WALL OR ROOF PANEL COLOR.
- ALL INTERIOR WALL PARTITIONS SHALL BE CONSTRUCTED OF 4 1/2" X 18 GA GALVANIZED METAL STUDS AT 24" O.C. AND 4 1/2" X 18 GA GALVANIZED METAL TRACK. ALL SIDES OF INTERIOR PARTITIONS NOT RECEIVING BURN ROOM PANELS SHALL RECEIVE 18 GA GALVANIZED SHEETING FASTENED WITH #8 X 3/8" LOW PROFILE TEK SCREWS AT 12" O.C.

## 3RD ALARM - FOUR STORY FIRE TRAINING SIMULATOR

FIRE DEPARTMENT TRAINING SIMULATOR

THIS INFORMATION CONFORMS TO ALL APPLICABLE STANDARDS FOR THE TRAINING SIMULATORS AT THE TIME OF PREPARATION.

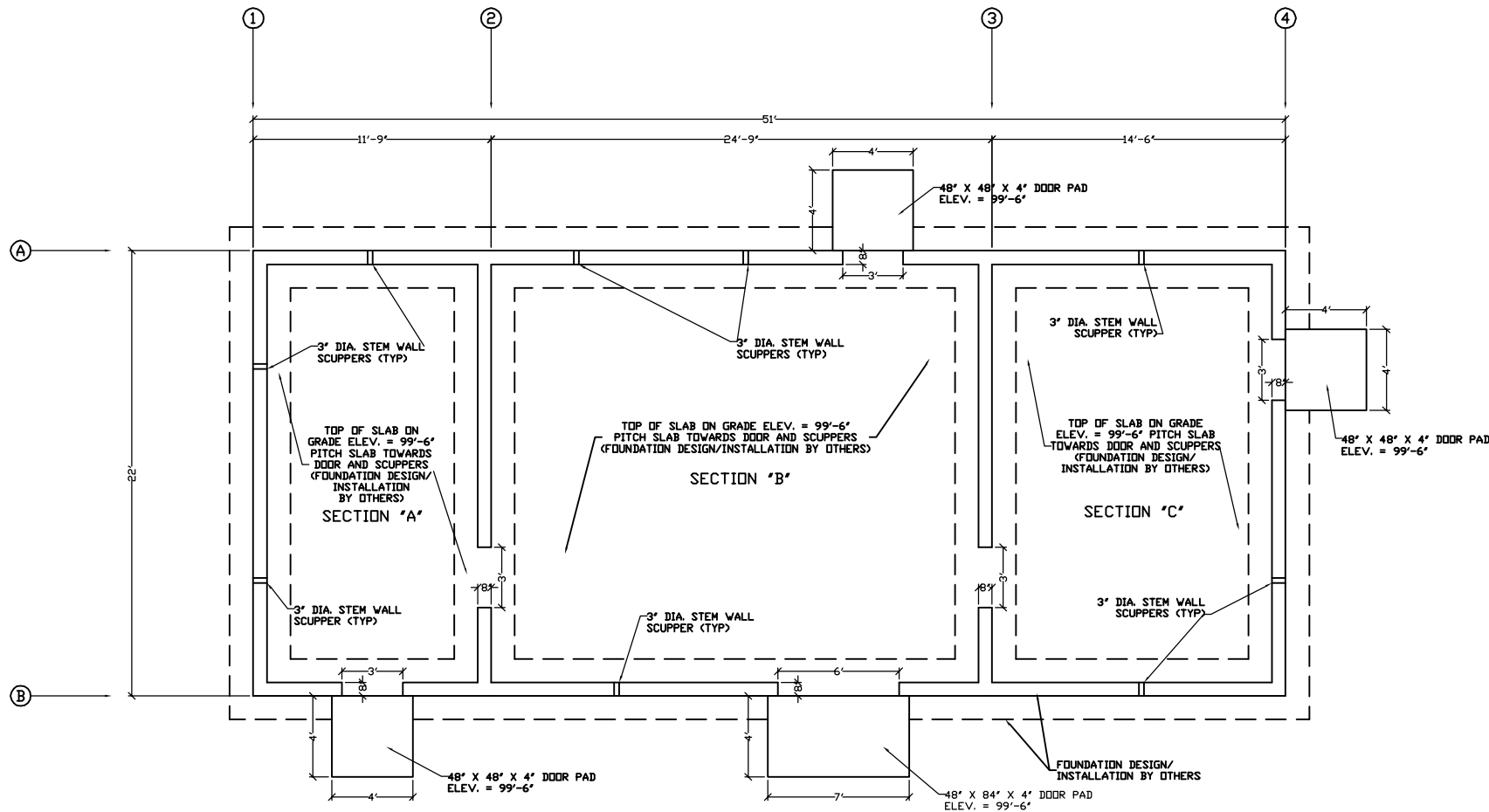
THE ERECTION CONTRACTOR ASSUMES RESPONSIBILITY FOR ALL MATERIALS, AT TIME OF DELIVERY. THIS CONTRACTOR IS ALSO RESPONSIBLE TO ACCOUNT FOR ALL MATERIAL, AT TIME OF DELIVERY. IF THERE IS A DISCREPANCY IN THE MATERIAL DELIVERED, CONTACT WHP TRAININGTOWERS IMMEDIATELY IN ORDER TO MAKE PROPER ARRANGEMENTS TO PROVIDE THE NECESSARY MATERIAL.

THIS SET OF DRAWINGS IS INTENDED AS A CONCEPTUAL SET, PROVIDED FOR SECONDARY REFERENCE ONLY. REFER TO BEHLEN INDUSTRIES CONSTRUCTION DRAWINGS AND THE MISCELLANEOUS METALS DRAWINGS AS PRIMARY REFERENCE FOR EXACT MATERIAL DIMENSIONS, ERECTION, AND PROCEDURES.

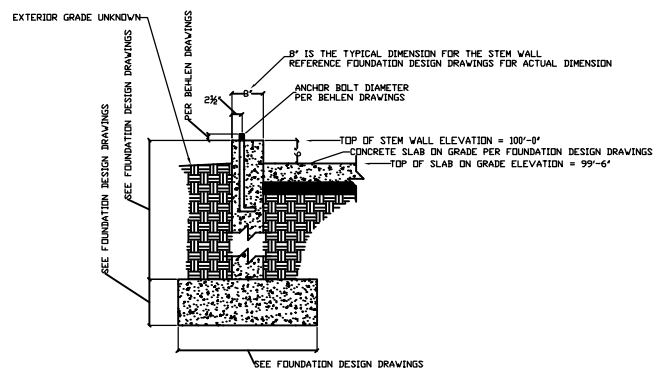
THESE DRAWINGS, SPECIFICATIONS, IDEAS, DESIGNS, AND ARRANGEMENTS ARE AND SHALL REMAIN THE PROPERTY OF WHP TRAININGTOWERS AND NO PART THERE OF SHALL BE COPIED, REPRODUCED, OR USED IN CONNECTION WITH ANY WORK OR PROJECT OTHER THAN THE SPECIFIC PROJECT FOR WHICH THEY HAVE BEEN PREPARED WITHOUT WRITTEN CONSENT OF WHP TRAININGTOWERS.

PROJECT NUMBER:	DC-W-000	REVISION DATES
PROJECT ERECTOR: <td>PK 2</td> <td></td>	PK 2	
DRAWN BY: <td>PK 3</td> <td></td>	PK 3	
REVIEWED BY: <td>PK 3</td> <td></td>	PK 3	
PRINT DATE: <td>00-00-00</td> <td></td>	00-00-00	

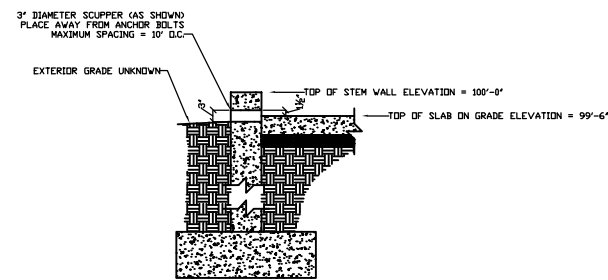
FOUNDATION PLAN



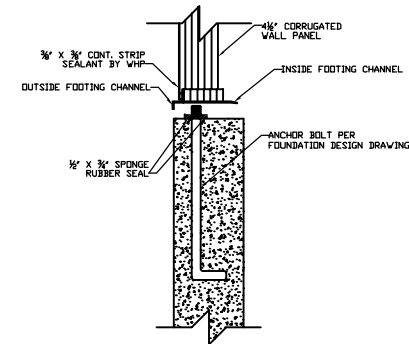
CONCEPTUAL FOUNDATION LAYOUT  
NOT TO SCALE



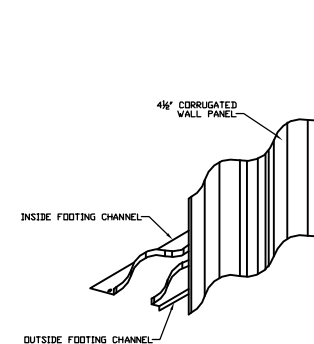
ANCHOR BOLT DETAIL (TYP.)  
NOT TO SCALE



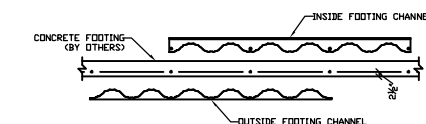
WALL SCUPPER DETAIL (TYP.)  
NOT TO SCALE



FOUNDATION CHANNEL DETAIL (TYP.)  
NOT TO SCALE



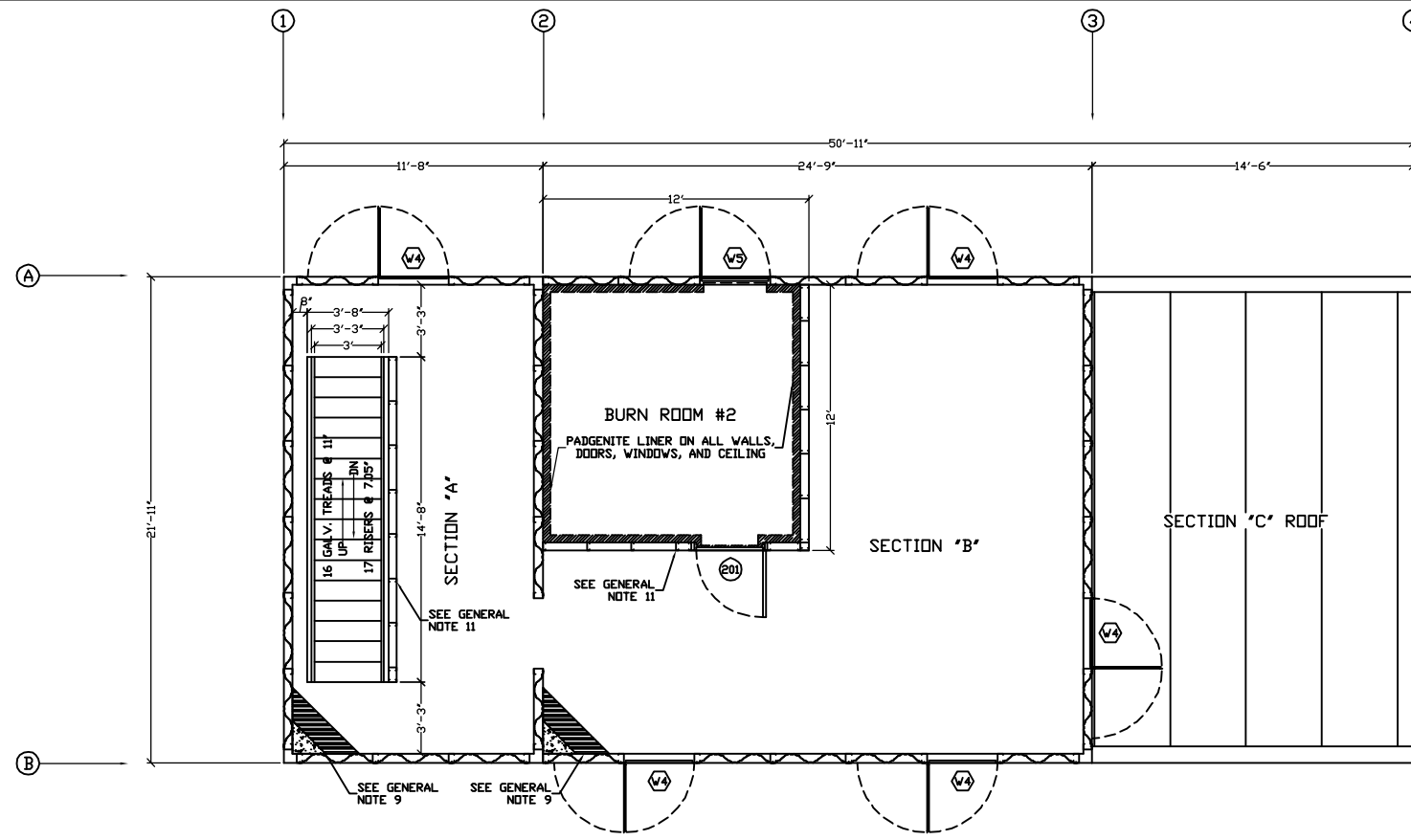
WALL PANEL DETAIL (TYP.)  
NOT TO SCALE



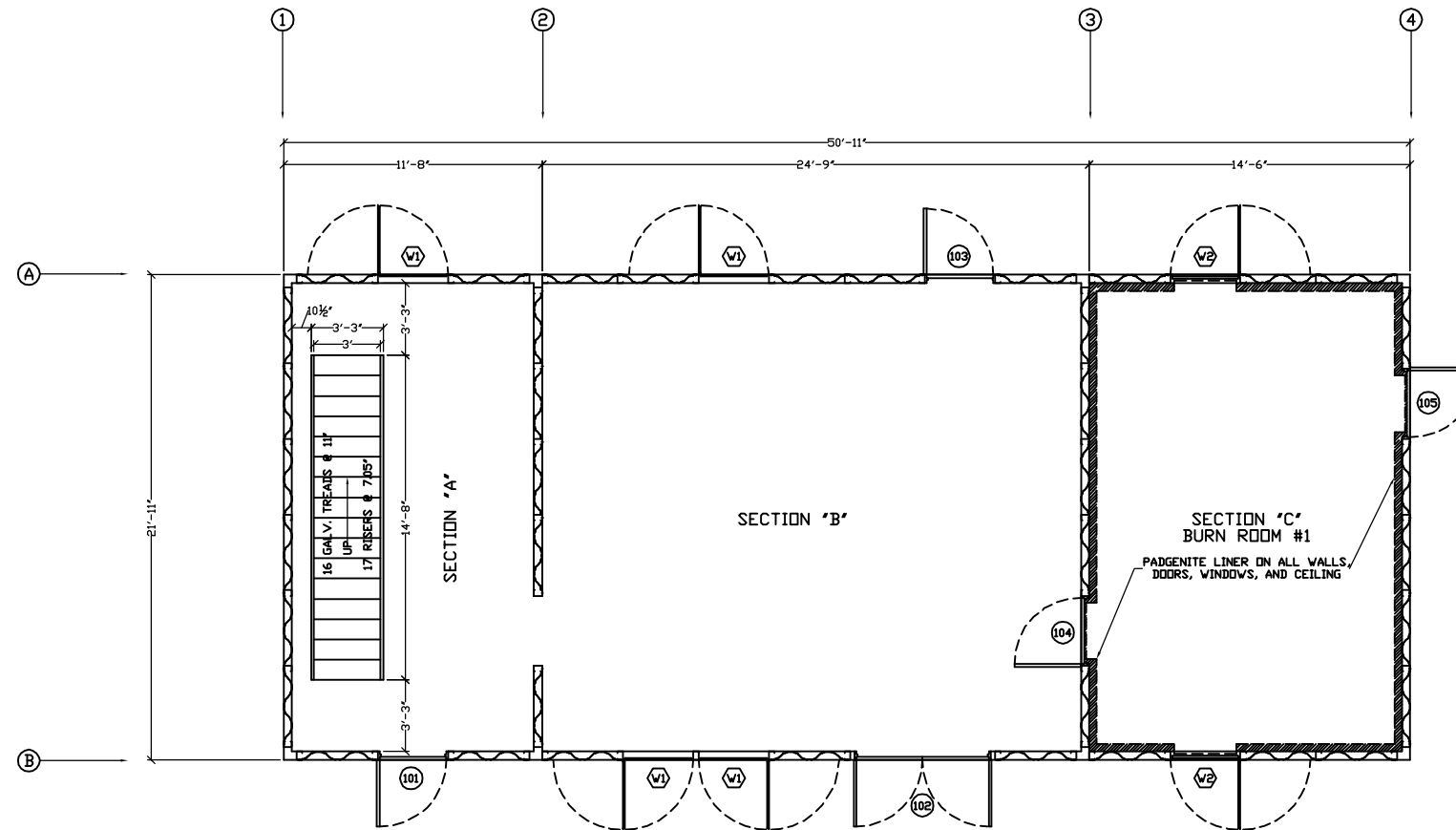
ERECTION NOTE - STAGGER CHANNEL AS SHOWN  
NOT TO SCALE

## DESIGN LOADS

ROOF LOAD	-- 100 PSF
FLOOR LOAD	-- 100 PSF
ATTIC LOAD	-- 100 PSF
WIND LOAD	-- -- MPH
WIND EXPOSURE	-- --



TOWER AND RESIDENTIAL 2ND FLOOR PLAN AND ANNEX ROOF PLAN  
NOT TO SCALE



TOWER, RESIDENTIAL, AND ANNEX 1ST FLOOR PLAN  
NOT TO SCALE

3RD ALARM - FOUR STORY  
FIRE TRAINING SIMULATOR

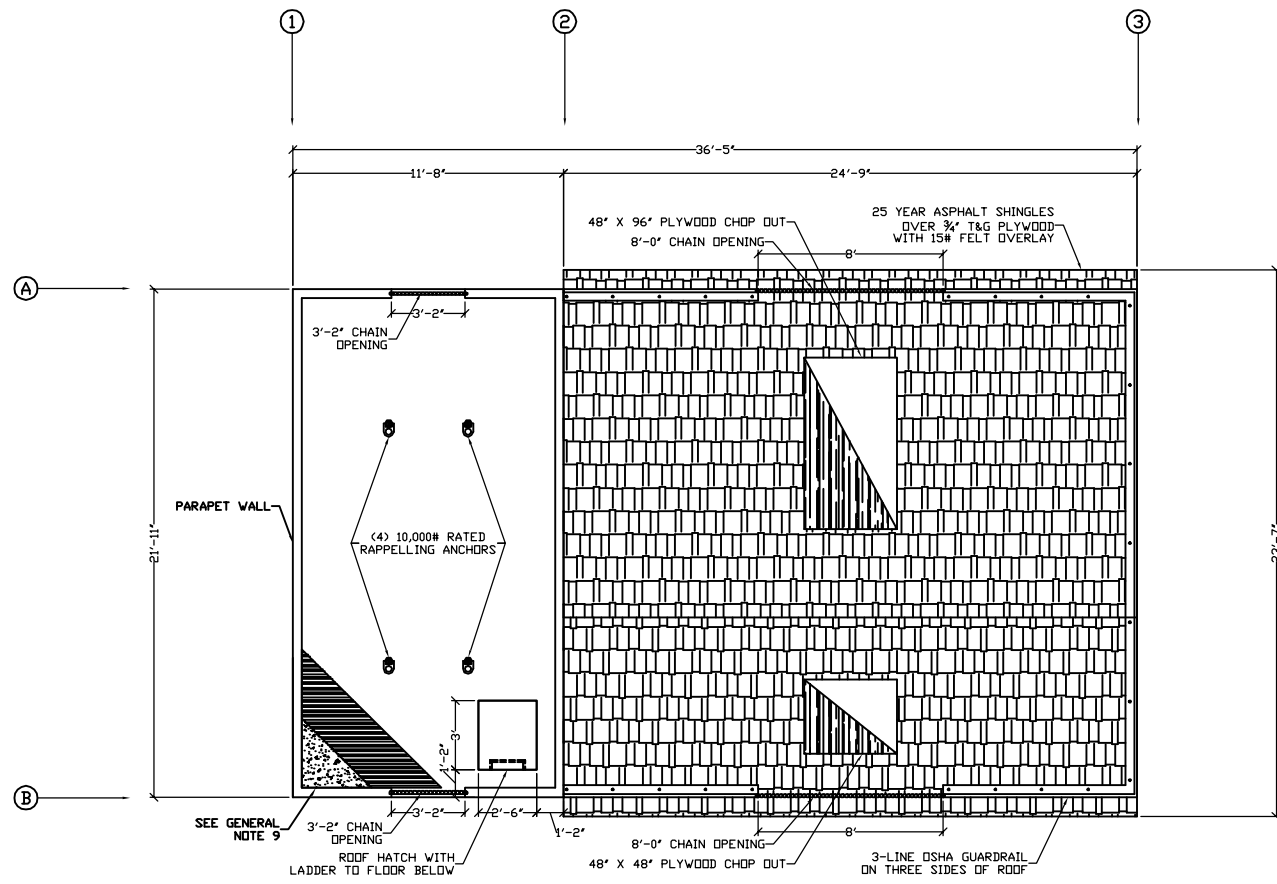
FIRE DEPARTMENT TRAINING SIMULATOR

THIS INFORMATION CONFORMS TO ALL APPLICABLE STANDARDS FOR THE TRAINING SIMULATORS AT THE TIME OF REVISION.  
THE DESIGN CONTRACTOR ASSUMES RESPONSIBILITY FOR ALL MATERIALS, AT THE TIME OF DELIVERY. THIS CONTRACTOR IS ALSO RESPONSIBLE TO ACCOUNT FOR ALL MATERIALS, AT THE TIME OF DELIVERY. IF THERE IS A DISCREPANCY IN THE MATERIAL DELIVERED, CONTACT THE MANUFACTURERS IMMEDIATELY IN ORDER TO MAKE PROPER ARRANGEMENTS TO PROVIDE THE NECESSARY MATERIAL.  
THIS SET OF DRAWINGS IS INTENDED AS A CONCEPTUAL SET, PROVIDED FOR SECONDARY REFERENCE ONLY. REFER TO DESIGN INDUSTRY CONSTRUCTION DRAWINGS AND THE MANUFACTURER'S DATA SHEETS AS PRIMARY REFERENCE FOR EXACT MATERIAL DIMENSIONS, DECIMALS, AND PROCEDURES.

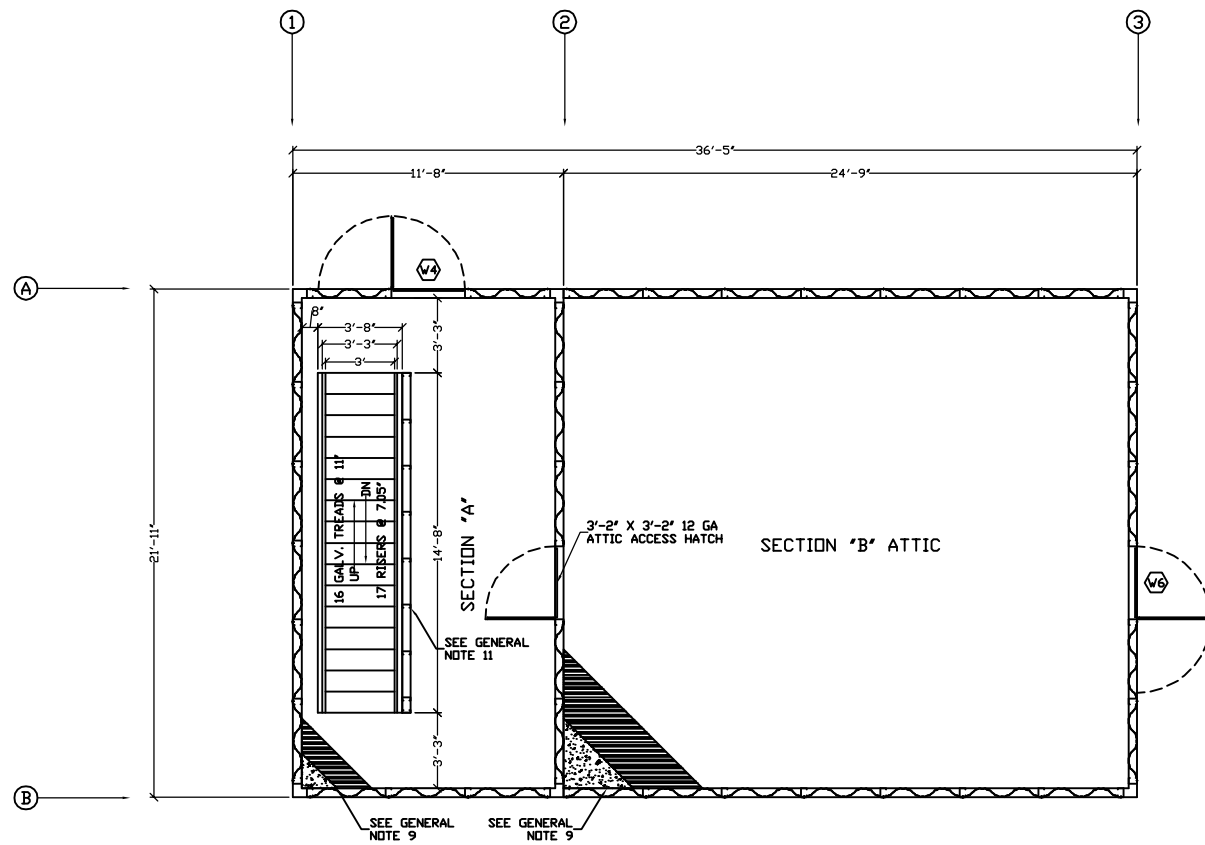
THESE DIMENSIONS, SPECIFICATIONS, MATERIALS, AND FINISHES ARE AND SHALL REMAIN THE PROPERTY OF THE CONTRACTOR AND NO PART THEREOF SHALL BE COPIED, REPRODUCED, OR USED IN CONNECTION WITH ANY OTHER PROJECT WITHOUT THE WRITTEN CONSENT OF THE CONTRACTOR.

PROJECT NUMBER:	00-W-000	REVISION DATES
DRAWN BY:	JPK	2
REVIEWED BY:	JP	3
PRINT DATE:	00-00-00	4

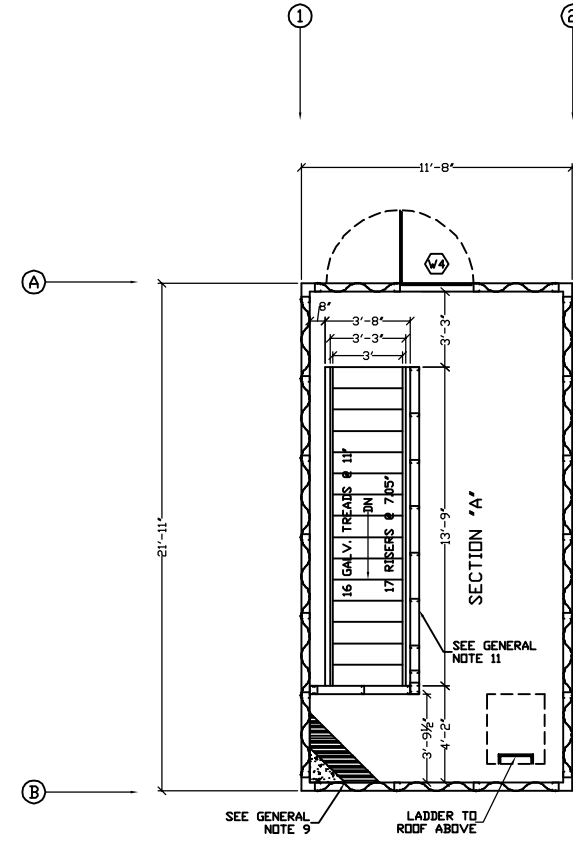
FIRST FLOOR AND  
SECOND FLOOR PLANS



**TOWER AND RESIDENTIAL ROOF PLAN**  
NOT TO SCALE



**TOWER 3RD FLOOR PLAN AND RESIDENTIAL ATTIC PLAN**  
NOT TO SCALE



**TOWER 4TH FLOOR PLAN**  
NOT TO SCALE

**3RD ALARM - FOUR STORY  
FIRE TRAINING SIMULATOR**

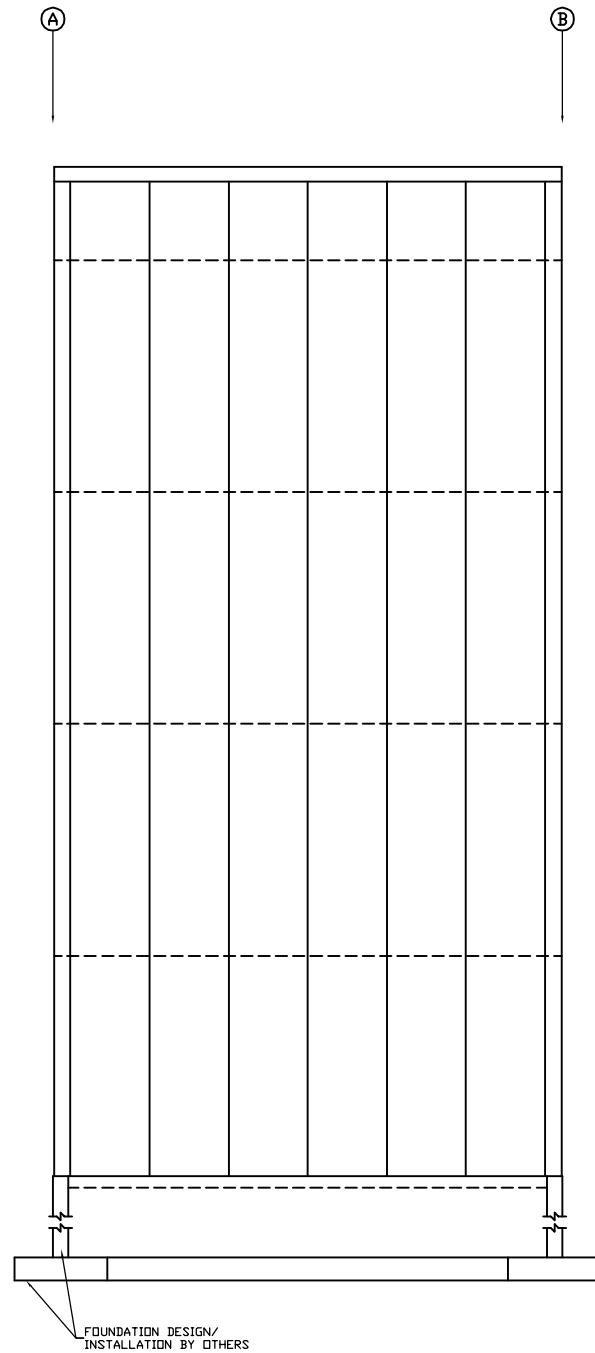
FIRE DEPARTMENT TRAINING SIMULATOR

THIS INFORMATION CONFORMS TO ALL APPLICABLE STANDARDS FOR THE TRAINING SIMULATORS AT THE TIME OF REVISION.  
THE DESIGN CONTRACTOR ASSUMES RESPONSIBILITY FOR ALL MATERIALS, AT THE TIME OF DESIGN. THIS CONTRACTOR IS ALSO RESPONSIBLE TO ACCOUNT FOR ALL MATERIALS, AT THE TIME OF DESIGN. IF THERE IS A DISCREPANCY IN THE MATERIALS, CONTACT THE ARCHITECT IMMEDIATELY IN ORDER TO MAKE PROPER ARRANGEMENTS TO PROVIDE THE NECESSARY MATERIAL.  
THIS SET OF DRAWINGS IS INTENDED AS A CONCEPTUAL SET, PROVIDED FOR SECONDARY REFERENCE ONLY. REFER TO BUREAU INDUSTRIES CONSTRUCTION DRAWINGS AND THE BUREAU INDUSTRIES BETA DRAWING AS PRIMARY REFERENCE FOR EXACT MATERIAL DIMENSIONS, DECIMALS AND PROCEDURES.  
THESE DIMENSIONS, SPECIFICATIONS, MATERIALS, METHODS AND FINISHES ARE AND SHALL REMAIN THE PROPERTY OF BUREAU INDUSTRIES AND NO PART THEREOF SHALL BE COPIED, REPRODUCED, OR USED IN CONNECTION WITH ANY OTHER PROJECT OTHER THAN THE SPECIFIC PROJECT FOR WHICH THEY HAVE BEEN PREPARED WITHOUT THE WRITTEN CONSENT OF BUREAU INDUSTRIES.

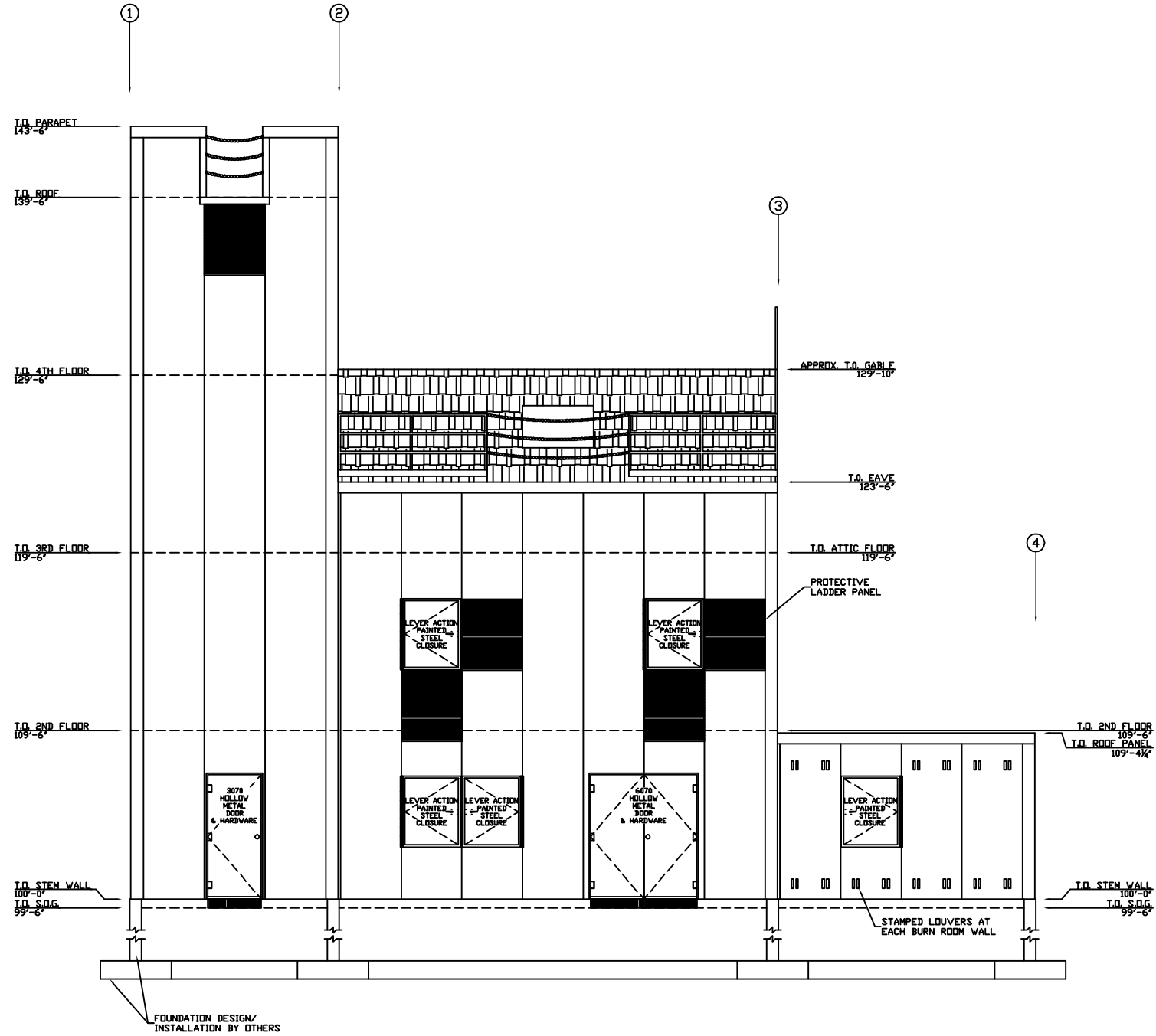
PROJECT NUMBER:	00-W-000	REVISION DATES
DRAWN BY:	JPK	2
REVIEWED BY:	JP	3
PRINT DATE:	00-00-00	4

THIRD FLOOR, FOURTH FLOOR  
AND TOWER ROOF PLANS

trainingtowers.com  
A DIV. OF J.S.C. INC.  
9121 BOND OVERLAND PARK, KS 66214  
TEL 913-365-3663 FAX: 913-365-7078  
TOLL FREE 1-800-351-2525 www.trainingtowers.com



LEFT SIDE ELEVATION  
NOT TO SCALE



FRONT SIDE ELEVATION  
NOT TO SCALE

3RD ALARM - FOUR STORY  
FIRE TRAINING SIMULATOR

FIRE DEPARTMENT TRAINING SIMULATOR

THIS INFORMATION CONFORMS TO ALL APPLICABLE STANDARDS FOR THE TRAINING SIMULATORS AT THE TIME OF REVISION.

THE DESIGN CONTRACTOR ASSUMES RESPONSIBILITY FOR ALL MATERIALS, AT THE TIME OF ORDER. THIS CONTRACTOR IS ALSO RESPONSIBLE TO ACCOUNT FOR ALL MATERIALS, AT THE TIME OF ORDER. IF THERE IS A DISCREPANCY IN THE MATERIAL RECEIVED, CONTACT THE MANUFACTURER IMMEDIATELY IN ORDER TO MAKE PROPER ARRANGEMENTS TO PROVIDE THE NECESSARY MATERIAL.

THIS SET OF DRAWINGS IS INTENDED AS A CONCEPTUAL SET, PROVIDED FOR SECONDARY REFERENCE ONLY. REFER TO BUILDER INDUSTRIES CONSTRUCTION DRAWINGS AND THE MANUFACTURER'S MANUAL FOR PRIMARY REFERENCE FOR EXACT MATERIAL DIMENSIONS, DECORAL AND PROCEDURES.

THESE DIMENSIONS, SPECIFICATIONS, MATERIALS, AND FINISHES ARE AND SHALL REMAIN THE PROPERTY OF WFP TRAINING TOWERS AND NO PART THEREOF SHALL BE COPIED, REPRODUCED, OR USED IN CONNECTION WITH ANY OTHER PROJECT WITHOUT THE EXPRESS WRITTEN CONSENT OF WFP TRAINING TOWERS.

PROJECT NUMBER:	00-W-000	REVISION DATES:
DRAWN BY:	JPK	1
REVIEWED BY:	JP	2
PRINT DATE:	00-00-00	3
		4

FRONT SIDE  
AND LEFT SIDE  
ELEVATIONS

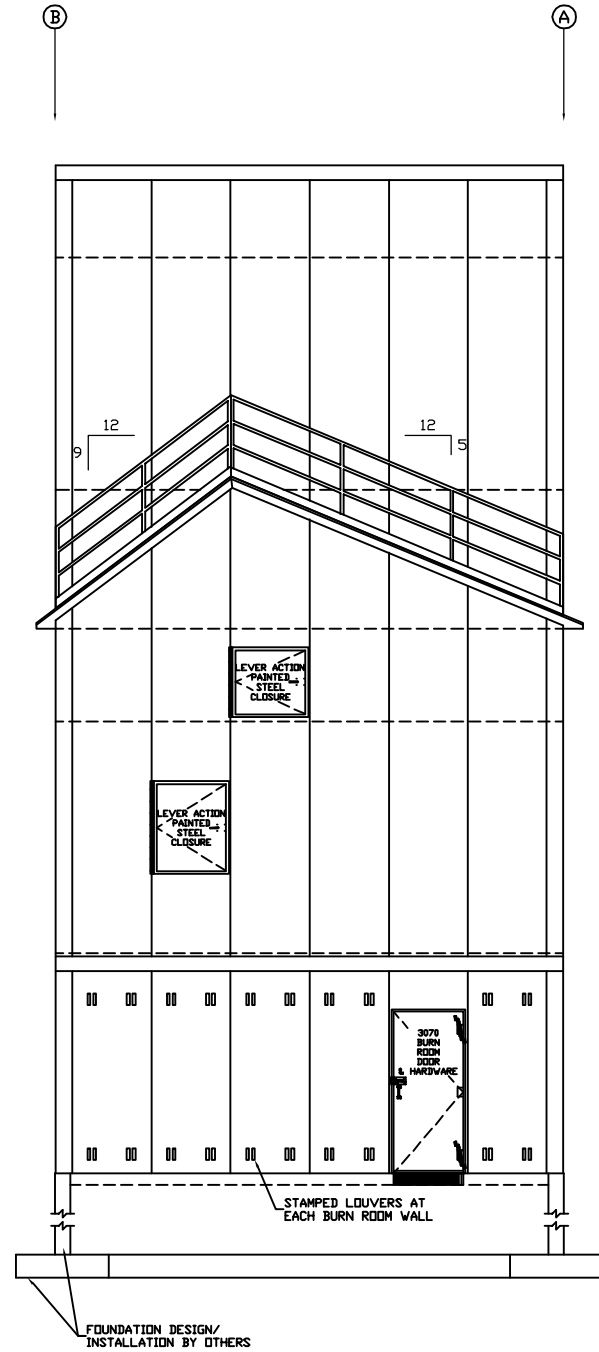
www.trainingtowers.com

A DIV. OF J.S.C. INC

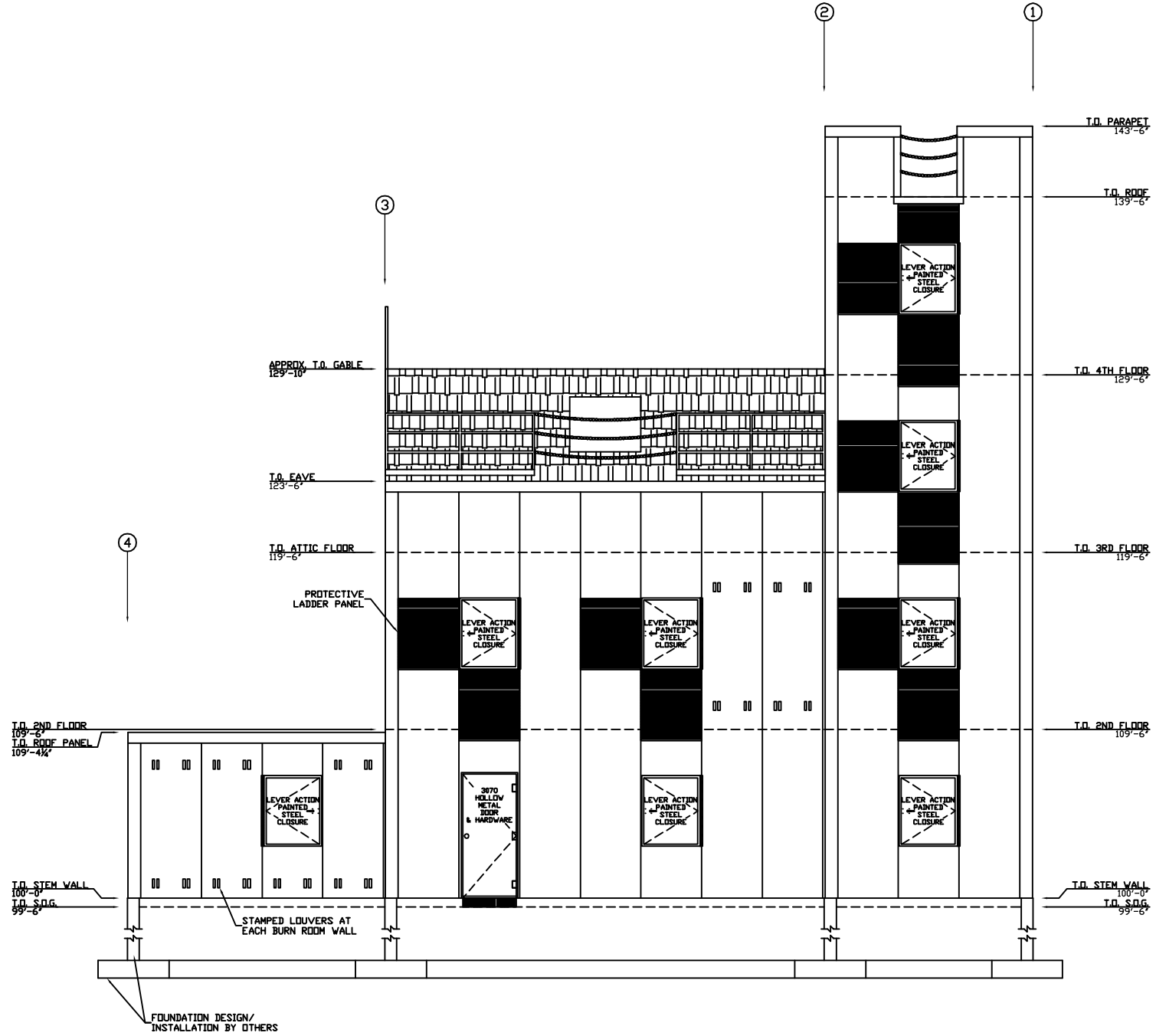
9121 BOND OVERLAND PARK, KS 66214

TEL 913-365-3663 FAX: 913-365-7078

TOLL FREE 1-800-351-2525 www.trainingtowers.com



RIGHT SIDE ELEVATION  
NOT TO SCALE



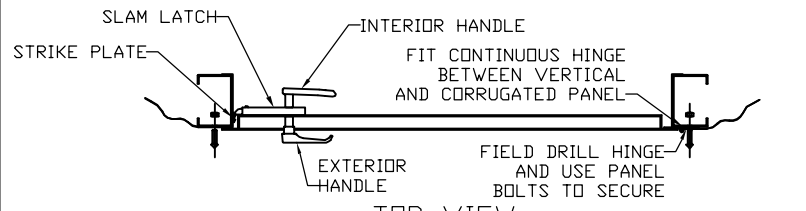
REAR SIDE ELEVATION  
NOT TO SCALE

**3RD ALARM - FOUR STORY  
FIRE TRAINING SIMULATOR**

FIRE DEPARTMENT TRAINING SIMULATOR

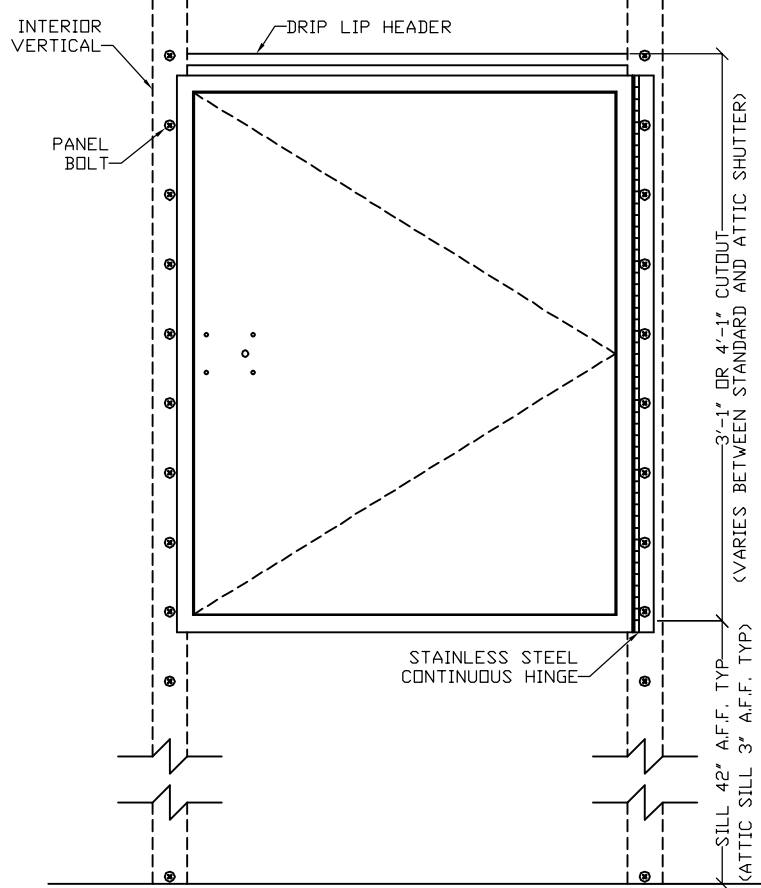
THIS INFORMATION CONFORMS TO ALL APPLICABLE STANDARDS FOR THE TRAINING SIMULATORS AT THE TIME OF REVISION.  
THE DESIGN CONTRACTOR ASSUMES RESPONSIBILITY FOR ALL MATERIALS, AT THE TIME OF DESIGN. THIS CONTRACTOR IS ALSO RESPONSIBLE TO ACCOUNT FOR ALL MATERIALS, AT THE TIME OF REVISION. IF THERE IS A DISCREPANCY IN THE MATERIAL REVISIONS, CONTACT THE MANUFACTURERS IMMEDIATELY IN ORDER TO MAKE PROPER ARRANGEMENTS TO PROVIDE THE NECESSARY MATERIAL.  
THIS SET OF DRAWINGS IS INTENDED AS A CONCEPTUAL SET, PROVIDED FOR SECONDARY REFERENCE ONLY. REFER TO BUILDER INDUSTRIES CONSTRUCTION DRAWINGS AND THE BUILT/ORDER SETS AS SHOWN AS PRIMARY REFERENCE FOR EXACT MATERIAL DIMENSIONS, DECIMALS, AND PROCEDURES.  
THESE DIMENSIONS, SPECIFICATIONS, REVISIONS, AND NOTES ARE THE PROPERTY OF BIP TRAININGTOWERS AND NO PART THEREOF SHALL BE COPIED, REPRODUCED, OR USED IN CONNECTION WITH ANY OTHER PROJECT OTHER THAN THE SPECIFIC PROJECT FOR WHICH THEY HAVE BEEN PREPARED WITHOUT THE WRITTEN CONSENT OF BIP TRAININGTOWERS.

PROJECT NUMBER:	00-W-000	REVISION DATES:
DRAWN BY:	JPK	1
REVISION BY:	JPK	2
PRINT DATE:	00-00-00	3
		4



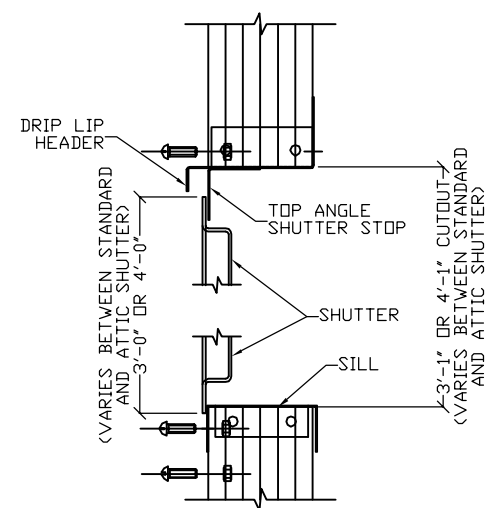
TOP VIEW

NOTE: CUT 5/16" SHANK FOR CORRECT FIT ON ALL BURN ROOM AND NON-BURN ROOM LEVERS

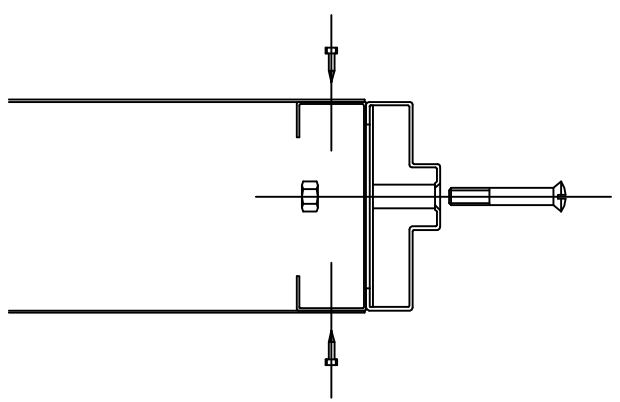


EXTERIOR VIEW

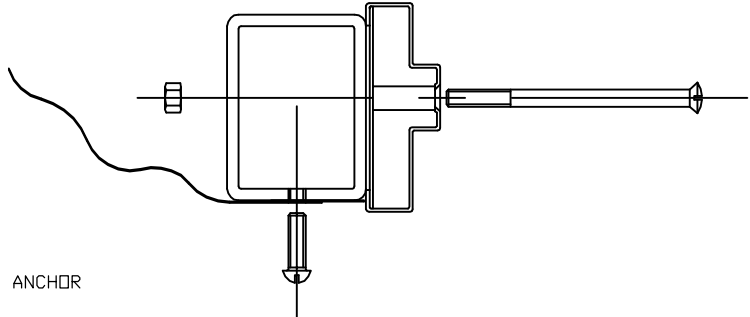
CLOSURE INSTALLATION DETAIL  
NOT TO SCALE



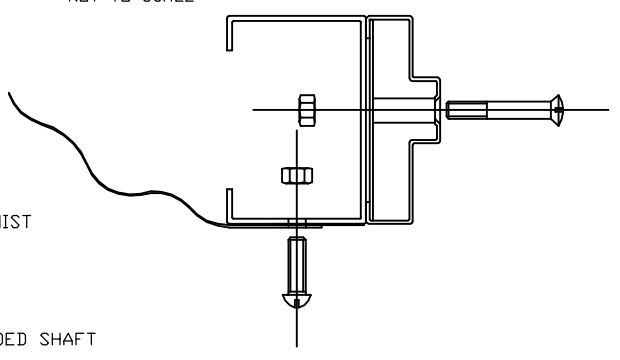
CLOSURE SECTION DETAIL  
NOT TO SCALE



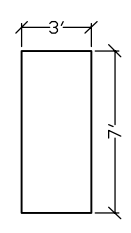
JAMB @ INTERIOR WALL  
NOT TO SCALE



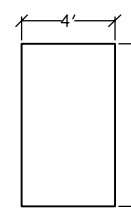
JAMB @ TUBE STEEL VERTICAL  
NOT TO SCALE



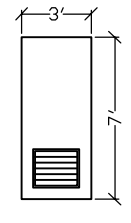
JAMB @ 12 GA CEE VERTICAL  
NOT TO SCALE



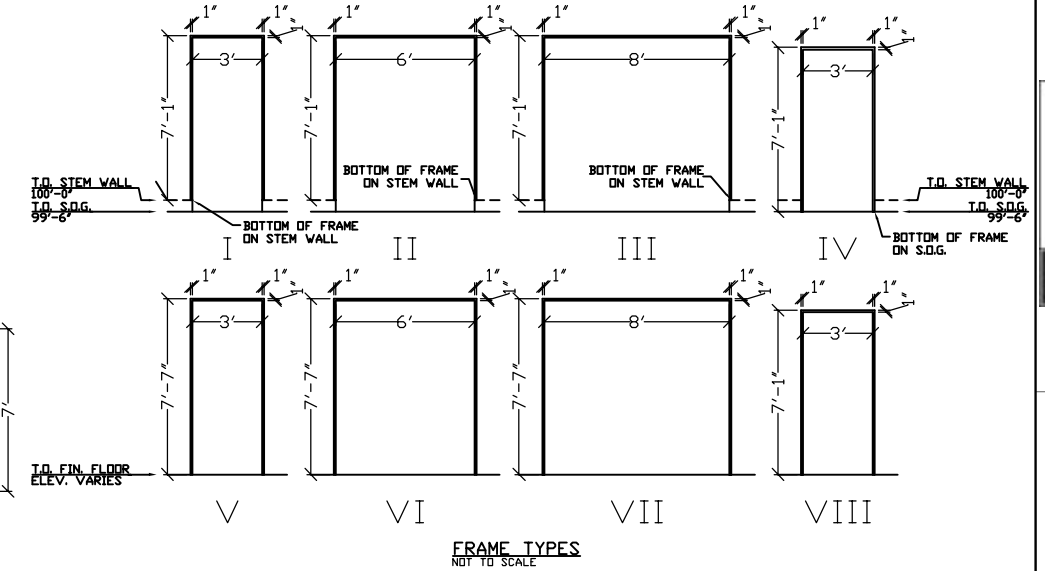
F



FF



DOOR TYPES  
NOT TO SCALE

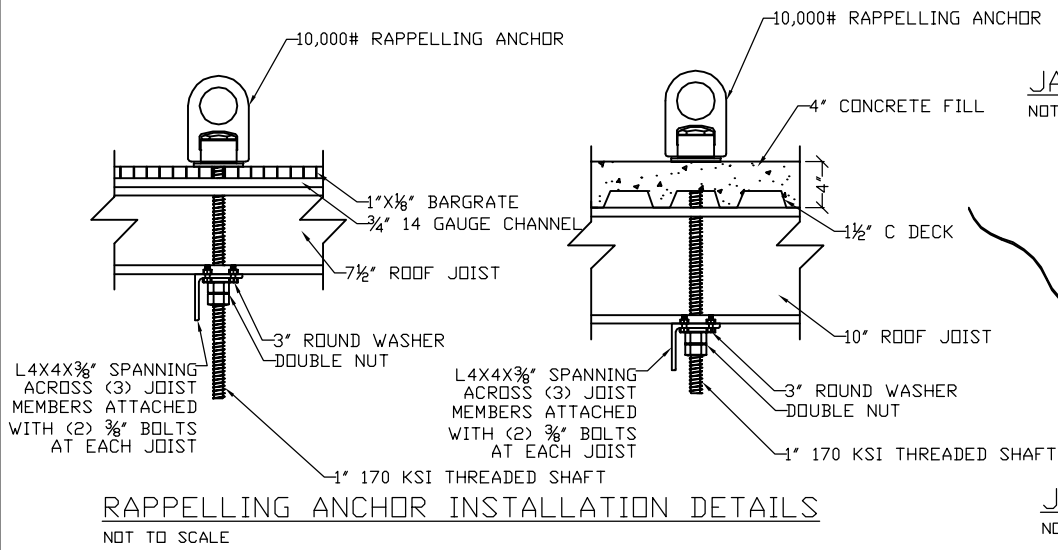


FRAME TYPES  
NOT TO SCALE

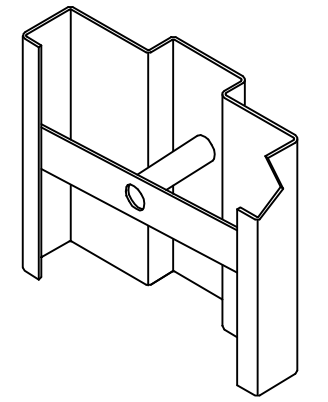
HARDWARE	HARDWARE SETS											
	H1	H2	H3	H4	H5	H6	H7	H8	H9	H10	H11	H12
SS BUTT HINGE	3	3	3	3	3	3	6	6				
SS CONTINUOUS HINGE									1	1	1	1
LOCKSET	1				1		1					
PASSAGE SET		1				1						
DOOR PULL			1	1				1				
BALL CATCH			1	1				1				
SPRING CLOSE			2	2				4				
BARREL BOLT			1					2				
ASTRIGAL							1	1				
DOOR SWEEP	1	1	1	1			2	2				
SLAM LATCH									1	1	1	1
SLAM LATCH STRIKE									1	1	1	1
INTERIOR HANDLE-STANDARD									1	1		
INTERIOR HANDLE-BURN ROOM											1	1
LOCKING HANDLE									1			
NON-LOCKING HANDLE										1		1

OPENING NUMBER	TYPE	APPROXIMATE SHUTTER WIDTH	APPROXIMATE SHUTTER HEIGHT	ROUGH OPENING WIDTH	ROUGH OPENING CUTOUT HEIGHT	SILL HEIGHT A.F.F.	GAUGE	MATERIAL & FINISH	PAINT FINISH	HARDWARE SET	REMARKS
V1	LOCKING NON-BURN ROOM SHUTTER	3'-3"	4'-0"	3'-2"	4'-1"	42"	12	G90 POWDER COAT	H9		
V2	LOCKING BURN ROOM SHUTTER	3'-3"	4'-0"	3'-2"	4'-1"	42"	12	G90 POWDER COAT	H11	PADGENITE INTERIOR FACE	
V3	LOCKING ATTIC SHUTTER	3'-3"	3'-0"	3'-2"	3'-1"	3'	12	G90 POWDER COAT	H9		
V4	NON-LOCKING NON-BURN ROOM SHUTTER	3'-3"	4'-0"	3'-2"	4'-1"	42"	12	G90 POWDER COAT	H10		
V5	NON-LOCKING BURN ROOM SHUTTER	3'-3"	4'-0"	3'-2"	4'-1"	42"	12	G90 POWDER COAT	H12	PADGENITE INTERIOR FACE	
V6	NON-LOCKING ATTIC SHUTTER	3'-3"	3'-0"	3'-2"	3'-1"	3'	12	G90 POWDER COAT	H10		

OPENING NUMBER	ROOM	FROM/TO	SECTION	QUANTITY	PAIR	WIDTH	HEIGHT	HAND/SWING	HARDWARE SET	FRAME TYPE	GAUGE	MATERIAL & FINISH	DEPTH	THROAT	JAMB FACE	HEAD FACE	JAMB ANCHORS	DOOR TYPE	GAUGE	MATERIAL & FINISH	REMARKS
101	EXTERIOR	F	SECTION A	1	--	3'-0"	7'-0"	LHR	H1	I	16	A604-3/4"	3'-3/4"	1"	1"	ED	F	18	A60		
102	EXTERIOR	F	SECTION B	1	PR	3'-0"	7'-0"	RHA	H7	II	16	A604-3/4"	3'-3/4"	1"	1"	ED	F	18	A60		
103	EXTERIOR	F	SECTION B	1	--	3'-0"	7'-0"	RHR	H1	I	16	A604-3/4"	3'-3/4"	1"	1"	ED	F	18	A60		
104	SECTION B	F	SECTION C	1	--	3'-0"	7'-0"	LH	H4	I	16	A604-3/4"	3'-3/4"	1"	1"	ED	F	18	A60	PADGENITE INTERIOR FACE	
105	EXTERIOR	F	SECTION C	1	--	3'-0"	7'-0"	LH	H3	I	16	A604-3/4"	3'-3/4"	1"	1"	ED	F	18	A60	PADGENITE INTERIOR FACE	
201	SECTION B	F	BURN ROOM #2	1	--	3'-0"	7'-0"	LH	H4	V	16	A604-3/4"	3'-3/4"	1"	1"	ED	F	18	A60	PADGENITE INTERIOR FACE	



RAPPELLING ANCHOR INSTALLATION DETAILS  
NOT TO SCALE



FRAME ANCHOR ISO  
NOT TO SCALE

www.trainingtowers.com  
A DIV. OF J.S.C. INC.  
9121 BOND OVERLAND PARK, KS 66214  
TEL 913-365-3663 FAX: 913-365-7078  
TOLL FREE 1-800-351-2525 www.trainingtowers.com

3RD ALARM - FOUR STORY  
FIRE TRAINING SIMULATOR  
FIRE DEPARTMENT TRAINING SIMULATOR

THIS INFORMATION CONFORMS TO ALL APPLICABLE STANDARDS FOR THE TRADING SIMULATORS AT THE TIME OF REVISION.  
THE DESIGN CONTRACTOR ASSUMES RESPONSIBILITY FOR ALL MATERIALS, AT THE TIME OF DESIGN. THIS CONTRACTOR IS ALSO RESPONSIBLE TO ACCOUNT FOR ALL MATERIALS, AT THE TIME OF REVISION. IF THERE IS A DISCREPANCY IN THE MATERIAL REVISIONS CONTACT THE PROJECT ARCHITECT IMMEDIATELY IN ORDER TO MAKE NECESSARY ARRANGEMENTS TO PROVIDE THE NECESSARY MATERIAL.  
THIS SET OF DRAWINGS IS INTENDED AS A CONCEPTUAL SET PROVIDED FOR SECONDARY REFERENCE ONLY. REFER TO BIDDING DOCUMENTS, CONSTRUCTION DRAWINGS AND THE BIDDING DOCUMENTS FOR ALL SPECIFICATIONS AND MATERIALS. FOR EXACT MATERIAL, DIMENSIONS, DECIMALS AND PROGRAMS.

PROJECT NUMBER:	00-W-000	REVISION DATES:
PROJECT ERECTOR:	PK 1	
DRAWN BY:	P 1	
REVIEWED BY:		
PRINT DATE:	00-00-00	

WINDOW CLOSURE DETAIL,  
DOOR DETAIL, SCHEDULE,  
AND RAPPELLING ANCHOR DETAIL