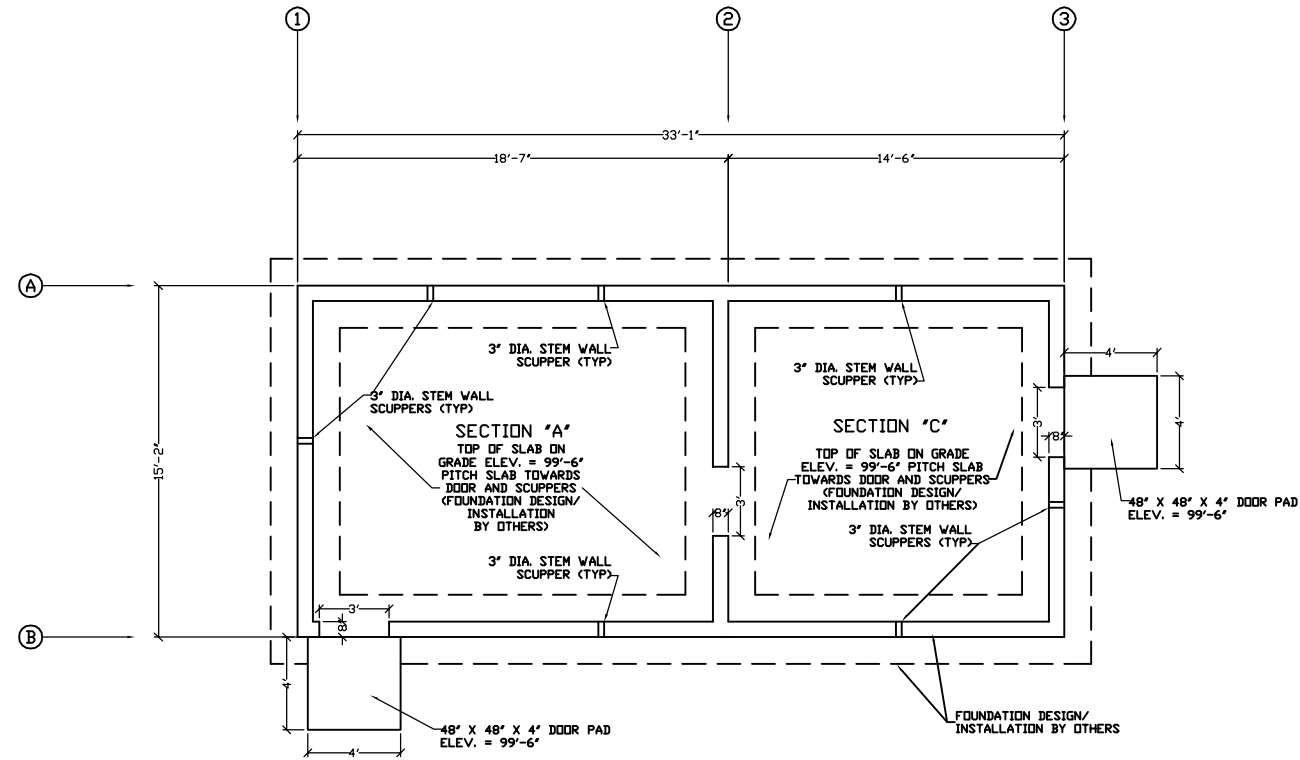
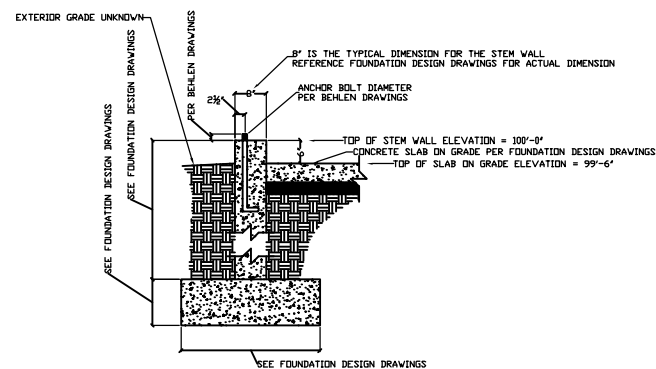


## GENERAL NOTES

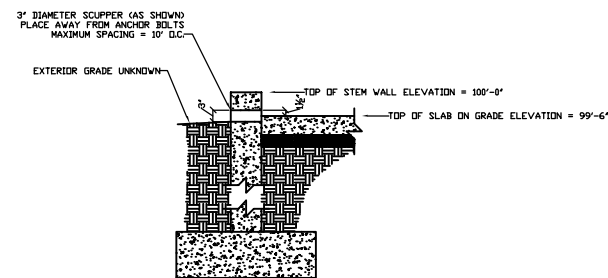
- THIS INFORMATION CONFORMS TO ALL APPLICABLE STANDARDS FOR FIRE TRAINING SIMULATORS AT THE TIME OF PREPARATION.
- THE ERECTION CONTRACTOR ASSUMES RESPONSIBILITY FOR ALL MATERIALS, AT THE TIME OF DELIVERY. THIS CONTRACTOR IS ALSO RESPONSIBLE TO ACCOUNT FOR ALL MATERIAL, AT TIME OF DELIVERY. IF THERE IS A DISCREPANCY IN THE MATERIAL DELIVERED, CONTACT WHP TRAININGTOWERS IMMEDIATELY IN ORDER TO MAKE PROPER ARRANGEMENTS TO PROVIDE THE NECESSARY MATERIAL.
- THIS SET OF DRAWINGS IS INTENDED AS A CONCEPTUAL SET, PROVIDED FOR SECONDARY REFERENCE ONLY. REFER TO BEHLEN INDUSTRIES CONSTRUCTION DRAWINGS AND THE MISCELLANEOUS METALS DRAWINGS AS PRIMARY REFERENCE FOR EXACT MATERIAL DIMENSIONS, ERECTION, AND PROCEDURES.
- THESE DRAWINGS, SPECIFICATIONS, IDEAS, DESIGNS, AND ARRANGEMENTS ARE AND SHALL REMAIN THE PROPERTY OF WHP TRAININGTOWERS AND NO PART THERE OF SHALL BE COPIED, REPRODUCED, OR USED IN CONNECTION WITH ANY WORK OR PROJECT OTHER THAN THE SPECIFIC PROJECT FOR WHICH THEY HAVE BEEN PREPARED WITHOUT WRITTEN CONSENT FROM WHP TRAININGTOWERS.
- WRITTEN DIMENSIONS ON THESE DRAWINGS SHALL TAKE PRECEDENCE OVER SCALED DIMENSIONS. INSTALLING CONTRACTORS OR OWNERS SHALL VERIFY AND BE RESPONSIBLE FOR ALL DIMENSIONS AND CONDITIONS ON THE JOB AND WHP TRAININGTOWERS SHALL BE NOTIFIED IMMEDIATELY OF ANY VARIATIONS OR DISCREPANCIES FROM THE DIMENSIONS AND CONDITIONS SHOWN BY THESE DRAWINGS. ANY FIELD CHANGES OR MODIFICATIONS TO EITHER THE STRUCTURE OR ADDITIVE COMPONENTS MUST BE REPORTED AND APPROVED BY WHP TRAININGTOWERS PRIOR TO PERFORMING ANY WORK.
- MISCELLANEOUS FIELD CUTTING AND FITTING OF BOTH STRUCTURAL AS WELL AS LIGHT GAUGE FRAMING COMPONENTS WILL BE NECESSARY TO BE ABLE TO PERFORM THE INSTALLATION PROCEDURES. THE INSTALLATION SHALL BE CONSIDERED STANDARD CONDITION AND REQUIREMENT FOR ERECTION OF THIS LIVE FIRE TRAINING SIMULATOR AND ITS COMPONENTS.
- DOORS SHALL BE PAINTED 18 GA HOT-DIPPED GALVANIZED HOLLOW METAL SLABS WITH CONTINUOUSLY WELDED SEAMS. DOOR FRAMES SHALL BE 1" PAINTED 16 GA HOT-DIPPED GALVANIZED FRAMES. EACH EXTERIOR NON-BURN ROOM DOOR SHALL BE PROVIDED WITH (1) HEAVY-DUTY STAINLESS STEEL BALL BEARING HINGES, (1) COMMERCIAL GRADE KEYPED LOCKSET, AND (2) DOOR MUTES. EACH INTERIOR NON-BURN ROOM DOOR SHALL BE PROVIDED WITH (3) HEAVY-DUTY STAINLESS STEEL BALL BEARING HINGES, (1) COMMERCIAL GRADE PASSAGE SET, AND (2) DOOR MUTES. EACH BURN ROOM DOOR SHALL BE PROVIDED WITH (3) HEAVY-DUTY STAINLESS STEEL BALL BEARING HINGES, (2) SPRING-TYPE CLOSING DEVICES, (1) DOOR PULL, (1) ADJUSTABLE BALL CATCH, AND (1) 8" LOCKABLE BARREL BOLT FOR USE IN SECURING THE BUILDING WHEN NOT IN USE. ANY DOUBLE DOORS SHALL BE PROVIDED WITH (1) METAL DASTRIGALS. ALL DOOR FRAMES THAT DO NOT SIT ON THE CONCRETE STEM WALL SHALL EXTEND 6" FROM THE BOTTOM OF DOOR SLAB. ALL DOORS SHALL HAVE (1) HIGH-TEMP DOOR SWEEP INSTALLED ON THE OUTSWING SIDE OF THE DOOR. THE DOOR SWEEP SHALL DRAG AGAINST THE FINISHED FLOOR LEVEL.
- WINDOW CLOSURES SHALL BE PAINTED 12 GA HOT-DIPPED GALVANIZED SINGLE LEAVES WITH A 1" DEEP PAN FRAME DESIGN. EACH NON-BURN ROOM CLOSURE ACCESSIBLE FROM THE GROUND SHALL BE PROVIDED WITH (1) STAINLESS STEEL CONTINUOUS HINGE, (1) SLAM LATCH, (1) KEYPED LEVER ON THE EXTERIOR SIDE OF THE CLOSURE, AND (1) PASSAGE LEVER ON THE INTERIOR SIDE OF THE CLOSURE. EACH NON-BURN ROOM CLOSURE NOT ACCESSIBLE FROM THE GROUND SHALL BE PROVIDED WITH (1) STAINLESS STEEL CONTINUOUS HINGE, (1) SLAM LATCH, (1) PASSAGE LEVER ON THE EXTERIOR SIDE OF THE CLOSURE, AND (1) PASSAGE LEVER ON THE INTERIOR SIDE OF THE CLOSURE. EACH BURN ROOM CLOSURE SHALL BE PROVIDED WITH ONE OF THE ABOVE HARDWARE SETS AND SHALL INCLUDE (3) "PADGENTIE" MOUNTING CHANNELS WELDED ON THE INTERIOR SIDE OF THE CLOSURE. ALL CLOSURES SHALL BE INSTALLED WITH EQUAL SPACING BETWEEN THE FRAMED OPENING AND THE CLOSURE PAN. ALL SILL ELEVATIONS SHALL BE 42" ABOVE FINISHED FLOOR ELEVATION.
- FLOOR DECKS ABOVE GRADE SHALL BE CONCRETE OVER GALVANIZED 1.5" "C" DECK FASTENED DIRECTLY TO FLOOR JOISTS USING SELF-DRILLING/SELF-THREADING TEK SCREW FASTENERS AT 6" O.C. INCREMENTS. ALL FLOOR DECKS SHALL REQUIRE FIELD CUTTING AND FITTING AS REQUIRED TO ACCOMMODATE THE BUILDING CONFIGURATION. CONCRETE FILL SHALL BE 4" IN DEPTH. CONCRETE SHALL BE A SMALL AGGREGATE CONCRETE WITH FIBER MESH REINFORCING. CONCRETE SHALL BE PITCHED TO EXTERIOR WALLS AND DOOR OPENINGS. FINISH SHALL BE A LIGHT BROOM FINISH. (CONCRETE FILL BY OTHERS)
- ALL CORRUGATED ROOF AND WALL PANELS ARE TO BE PREFINISHED IN ONE OF 13 STANDARD COLORS. COMPOUND CORRUGATED WALL PANELS ARE 3'-5" WIDE AND 4 1/2" DEEP. COMPOUND CORRUGATED ROOF PANELS ARE TO BE 3'-5" WIDE AND 7 1/2" DEEP. ALL WALL AND ROOF PANELS ARE TO BE BOLTED AT 6" O.C. INCREMENTS UTILIZING 3/8" DIAMETER BOLT FASTENERS PROVIDED IN A COLOR TO MATCH THE WALL OR ROOF PANEL COLOR.
- ALL INTERIOR WALL PARTITIONS SHALL BE CONSTRUCTED OF 4 1/2" X 18 GA GALVANIZED METAL STUDS AT 24" O.C. AND 4 1/2" X 18 GA GALVANIZED METAL TRACK. ALL SIDES OF INTERIOR PARTITIONS NOT RECEIVING BURN ROOM PANELS SHALL RECEIVE 18 GA GALVANIZED SHEETING FASTENED WITH #8 X 3/8" LOW PROFILE TEK SCREWS AT 12" O.C.



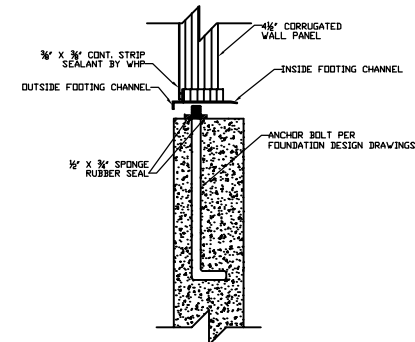
CONCEPTUAL FOUNDATION LAYOUT  
NOT TO SCALE



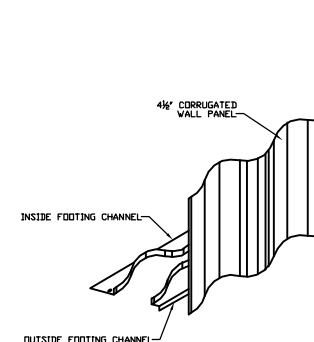
ANCHOR BOLT DETAIL (TYP.)  
NOT TO SCALE



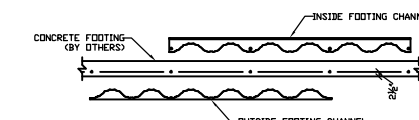
WALL SCUPPER DETAIL (TYP.)  
NOT TO SCALE



FOUNDATION CHANNEL DETAIL (TYP.)  
NOT TO SCALE



WALL PANEL DETAIL (TYP.)  
NOT TO SCALE



ERECTION NOTE - STAGGER CHANNEL AS SHOWN  
NOT TO SCALE

1ST ALARM - FOUR STORY  
FIRE TRAINING SIMULATOR

FIRE DEPARTMENT TRAINING SIMULATOR

THIS INFORMATION CONFORMS TO ALL APPLICABLE STANDARDS FOR THE TRAINING SIMULATORS AT THE TIME OF REVISION.

THE ERECTION CONTRACTOR ASSUMES RESPONSIBILITY FOR ALL MATERIALS, AT THE TIME OF DELIVERY. THIS CONTRACTOR IS ALSO RESPONSIBLE TO ACCOUNT FOR ALL MATERIAL, AT THE TIME OF DELIVERY. IF THERE IS A DISCREPANCY IN THE MATERIAL DELIVERED, CONTACT WHP TRAININGTOWERS IMMEDIATELY IN ORDER TO MAKE PROPER ARRANGEMENTS TO PROVIDE THE NECESSARY MATERIAL.

THIS SET OF DRAWINGS IS INTENDED AS A CONCEPTUAL SET, PROVIDED FOR SECONDARY REFERENCE ONLY. REFER TO BEHLEN INDUSTRIES CONSTRUCTION DRAWINGS AND THE MISCELLANEOUS METALS DRAWINGS AS PRIMARY REFERENCE FOR EXACT MATERIAL DIMENSIONS, ERECTION, AND PROCEDURES.

THESE DRAWINGS, SPECIFICATIONS, IDEAS, DESIGNS, AND ARRANGEMENTS ARE AND SHALL REMAIN THE PROPERTY OF WHP TRAININGTOWERS AND NO PART THERE OF SHALL BE COPIED, REPRODUCED, OR USED IN CONNECTION WITH ANY WORK OR PROJECT OTHER THAN THE SPECIFIC PROJECT FOR WHICH THEY HAVE BEEN PREPARED WITHOUT WRITTEN CONSENT OF WHP TRAININGTOWERS.

PROJECT NUMBER:	00-W-000	REVISION DATES:	1	2	3	4
PROJECT ERECTOR:	WHP	DATE:				
DRAWN BY:	WHP	DATE:				
REVIEWED BY:	WHP	DATE:				
PRINT DATE:	00-00-00					

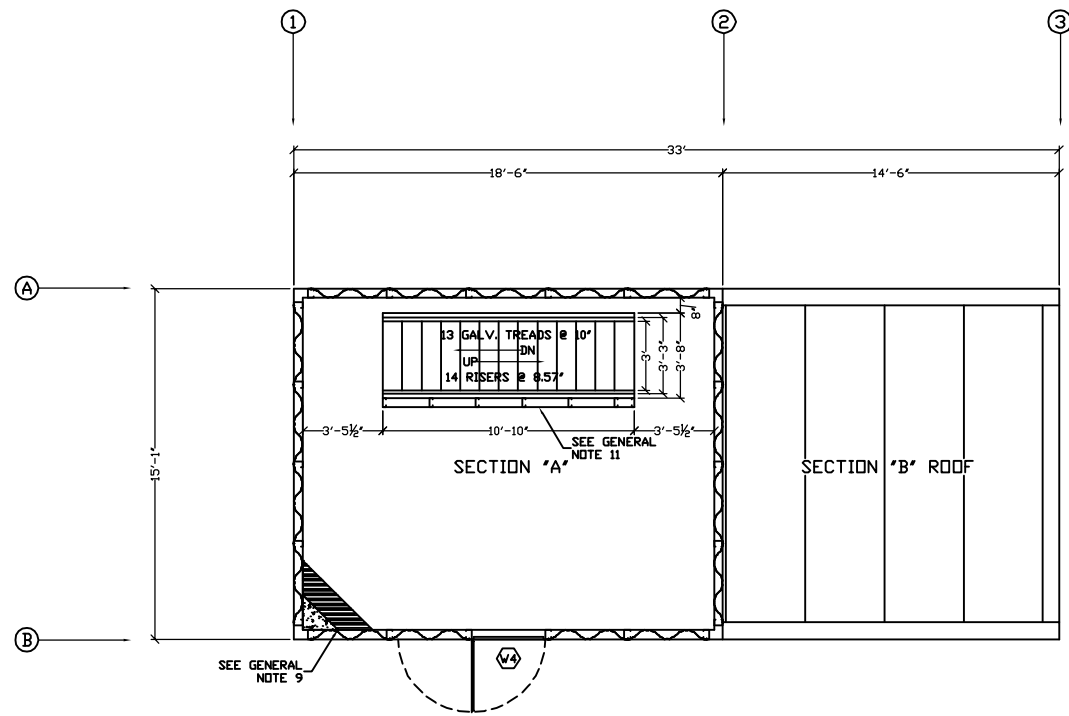
FOUNDATION PLAN

1

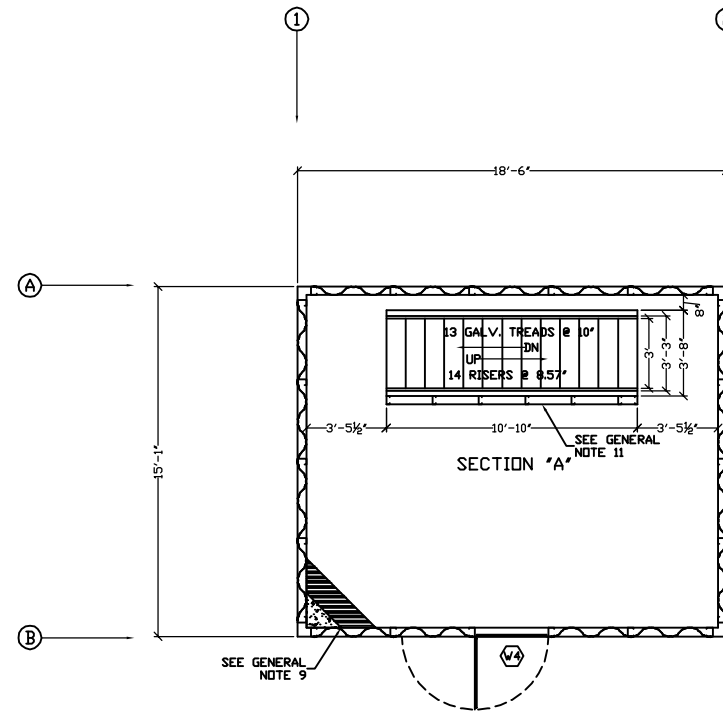
www.trainingtowers.com

A DIV. OF J.S.C. INC

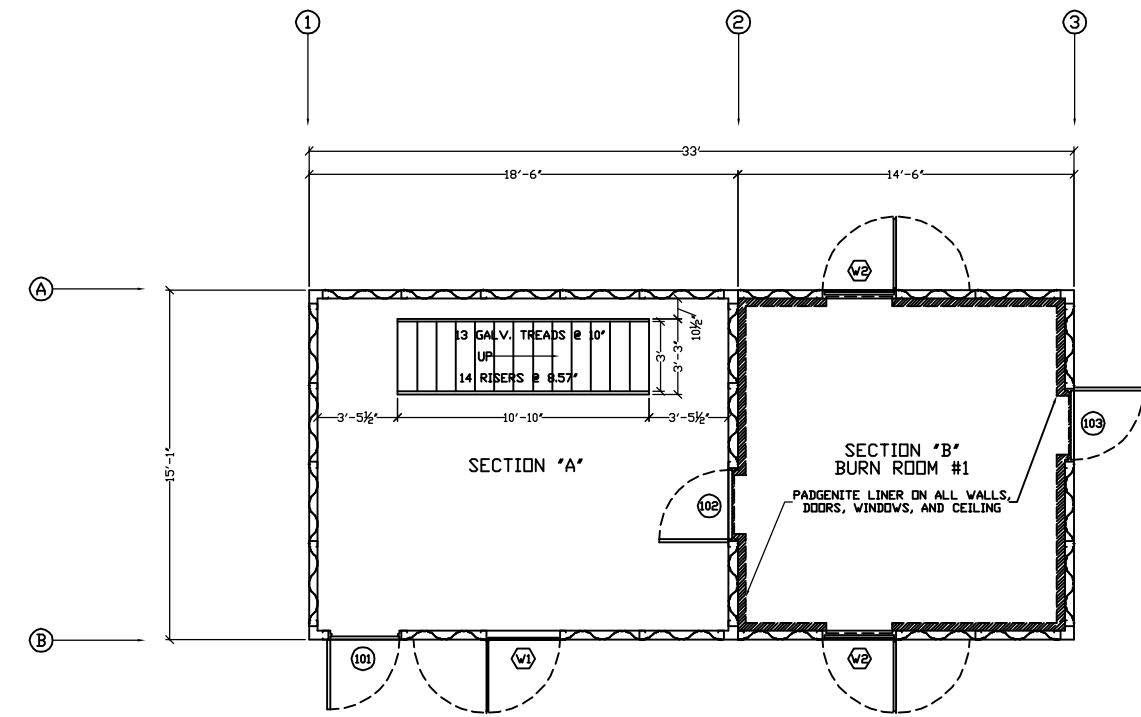
9121 BOND OVERLAND PARK, KS 66214  
TEL 913-365-3663 FAX: 913-365-7078  
TOLL FREE 1-800-351-2525 www.trainingtowers.com



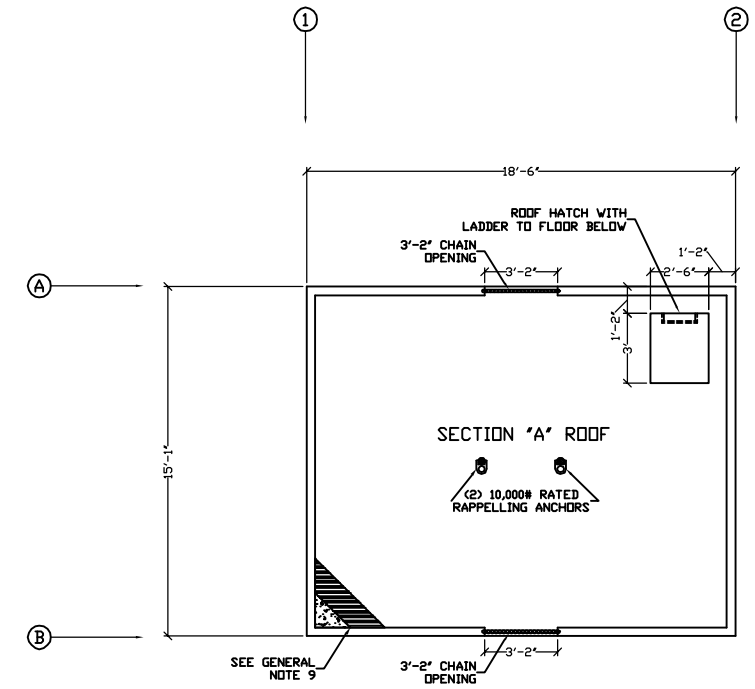
TOWER 2ND FLOOR PLAN AND ANNEX ROOF PLAN  
NOT TO SCALE



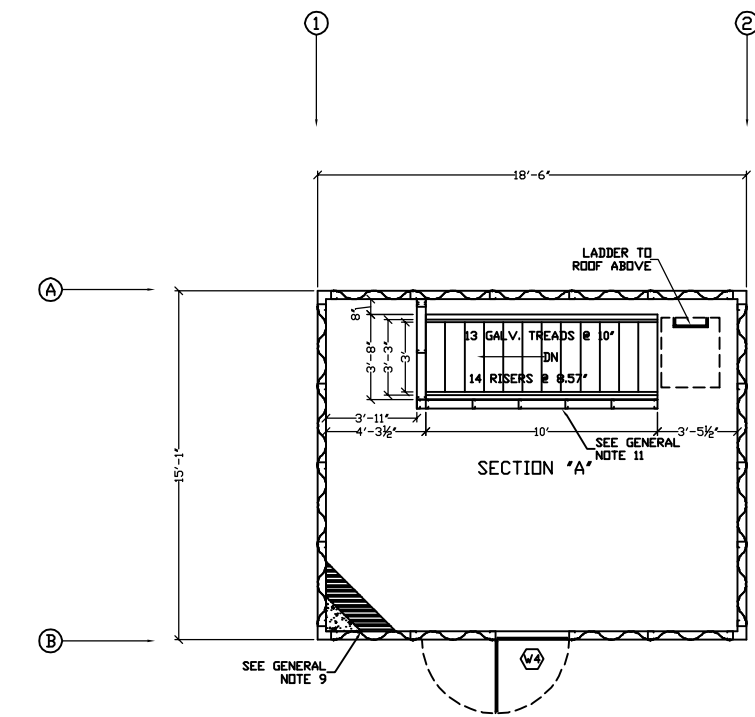
TOWER 3RD FLOOR PLAN  
NOT TO SCALE



TOWER AND ANNEX 1ST FLOOR PLAN  
NOT TO SCALE



TOWER ROOF PLAN  
NOT TO SCALE



TOWER 4TH FLOOR PLAN  
NOT TO SCALE

1ST ALARM - FOUR STORY  
FIRE TRAINING SIMULATOR

FIRE DEPARTMENT TRAINING SIMULATOR

THIS INFORMATION CONFORMS TO ALL APPLICABLE STANDARDS FOR THE TRAINING SIMULATORS AT THE TIME OF REVISION.

THE DESIGN CONTRACTOR ASSUMES RESPONSIBILITY FOR ALL MATERIALS, AT THE TIME OF DESIGN. THE CONTRACTOR IS ALSO RESPONSIBLE TO ACCOUNT FOR ALL MATERIALS, AT THE TIME OF REVISION. IF THERE IS A DISCREPANCY IN THE MATERIAL REVISIONS, CONTACT THE ARCHITECT IMMEDIATELY IN ORDER TO MAKE NECESSARY ARRANGEMENTS TO PROVIDE THE NECESSARY MATERIAL.

THIS SET OF DRAWINGS IS INTENDED AS A CONCEPTUAL SET, PROVIDED FOR SECONDARY REFERENCE ONLY. REFER TO BUILDER INDUSTRY CONSTRUCTION DRAWINGS AND THE BIDDING/REVISION SETS AS PRIMARY REFERENCE FOR EXACT MATERIAL, DIMENSIONS, DECIMALS, AND PROCEDURES.

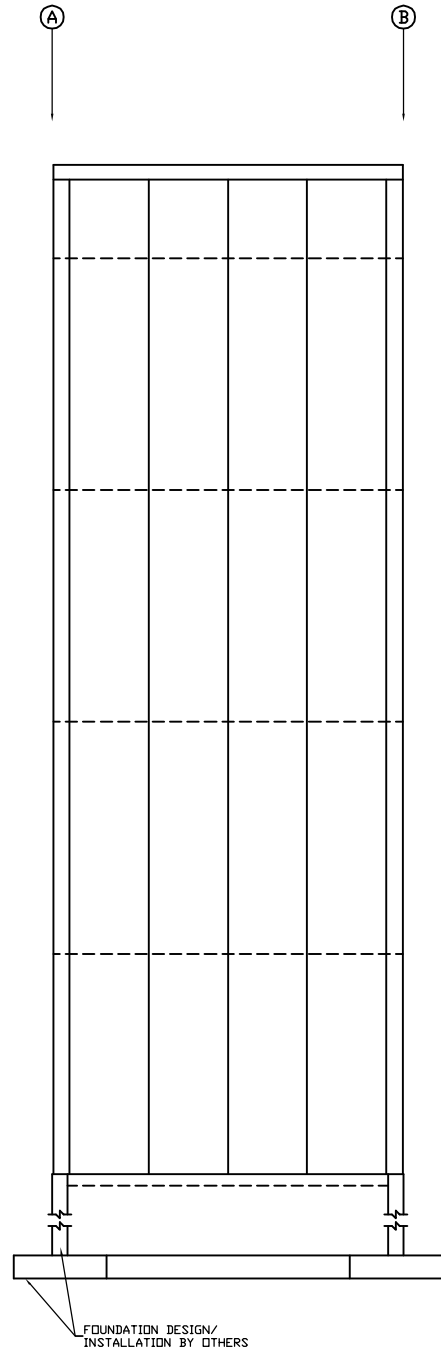
THESE DIMENSIONS, SPECIFICATIONS, REVISIONS, AND DIMENSIONS ARE AND SHALL REMAIN THE PROPERTY OF WFP TRAINING TOWERS AND NO PART THEREOF SHALL BE COPIED, REPRODUCED, OR USED IN CONNECTION WITH ANY WORK OR PROJECT OTHER THAN THE SPECIFIC PROJECT FOR WHICH THEY HAVE BEEN PREPARED WITHOUT THE WRITTEN CONSENT OF WFP TRAINING TOWERS.

PROJECT NUMBER:	00-W-000	REVISION DATES:
PROJECT ERECTOR:	JPK	1
DRAWN BY:	JP	2
REVIEWED BY:		3
PRINT DATE:	00-00-00	4

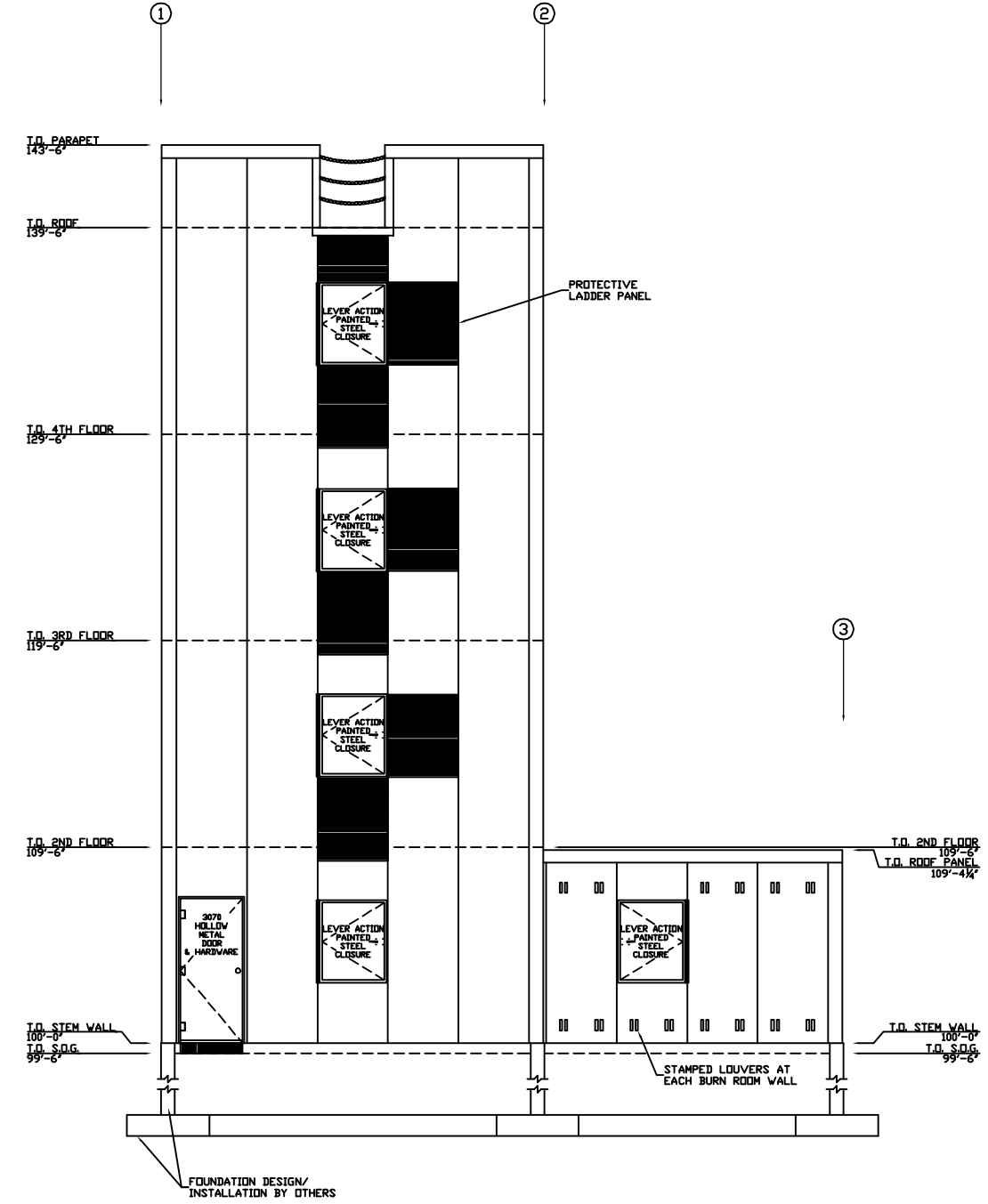
FLOOR PLANS

www.trainingtowers.com

A DIV. OF J.S.C. INC.  
9121 BOND OVERLAND PARK, KS 66214  
TEL 913-365-3663 FAX: 913-365-7078  
TOLL FREE 1-800-351-2525 www.trainingtowers.com



**LEFT SIDE ELEVATION**  
NOT TO SCALE



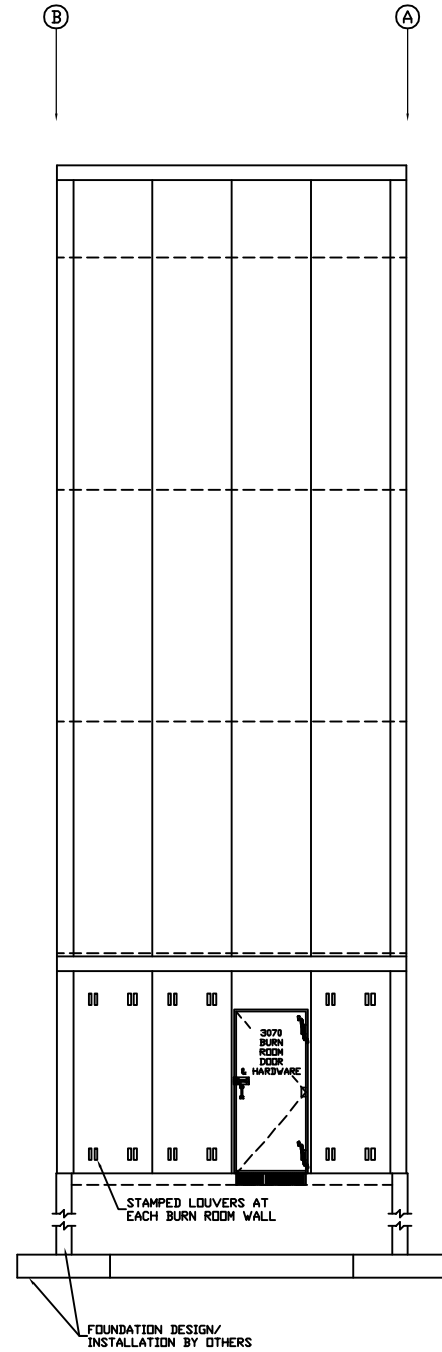
**FRONT SIDE ELEVATION**  
NOT TO SCALE

**1ST ALARM - FOUR STORY**  
**FIRE TRAINING SIMULATOR**  
 FIRE DEPARTMENT TRAINING SIMULATOR

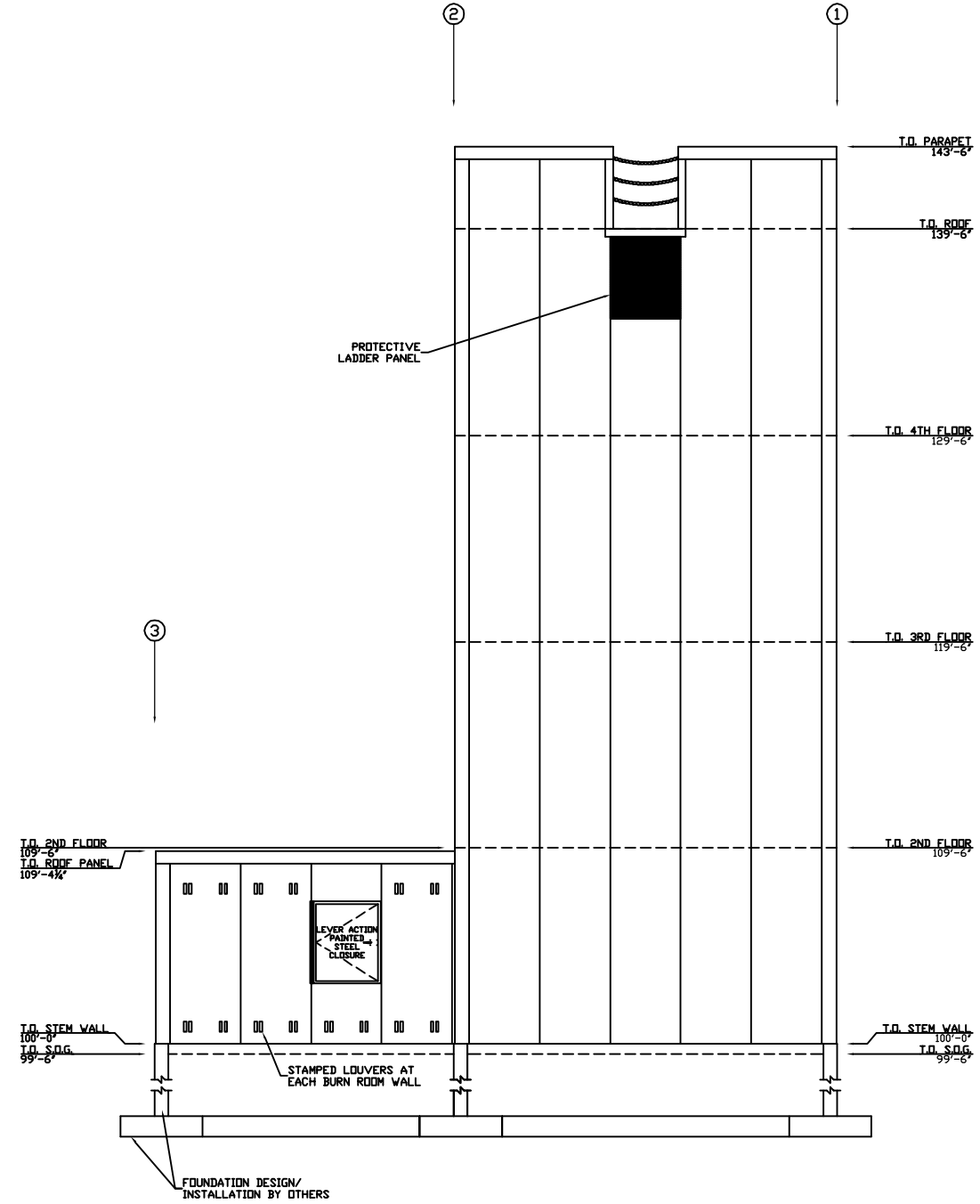
THIS INFORMATION CONFORMS TO ALL APPLICABLE STANDARDS FOR THE TRAINING SIMULATORS AT THE TIME OF REVISION.  
 THE DESIGN CONTRACTOR ASSUMES RESPONSIBILITY FOR ALL MATERIALS, AT THE TIME OF DESIGN. THIS CONTRACTOR IS ALSO RESPONSIBLE TO ACCOUNT FOR ALL MATERIALS, AT THE TIME OF REVISION. IF THERE IS A DISCREPANCY IN THE MATERIAL REVISIONS, CONTACT THE MANUFACTURERS IMMEDIATELY IN ORDER TO MAKE PROPER ARRANGEMENTS TO PROVIDE THE NECESSARY MATERIAL.  
 THIS SET OF DRAWINGS IS INTENDED AS A CONCEPTUAL SET, PROVIDED FOR SECONDARY REFERENCE ONLY. REFER TO BUILDER INDUSTRIES CONSTRUCTION DRAWINGS AND THE BIDDING DOCUMENTS FOR PRIMARY REFERENCE. FOR EXACT MATERIAL DIMENSIONS, DECIMALS, AND PROCEDURES.  
 THESE DIMENSIONS, SPECIFICATIONS, HEAD, DESIGN, AND FINISHES ARE AND SHALL REMAIN THE PROPERTY OF WHP TRAININGTOWERS AND NO PART THEREOF SHALL BE COPIED, REPRODUCED, OR USED IN CONNECTION WITH ANY WORK OR PROJECT OTHER THAN THE SPECIFIC PROJECT FOR WHICH THEY HAVE BEEN PREPARED WITHOUT THE WRITTEN CONSENT OF WHP TRAININGTOWERS.

PROJECT NUMBER:	00-W-000	REVISION DATES
DRAWN BY:	JK 2	
REVISION BY:	JP 3	
PRINT DATE:	00-00-00	4

FRONT SIDE  
 AND LEFT SIDE  
 ELEVATIONS



RIGHT SIDE ELEVATION  
NOT TO SCALE



REAR SIDE ELEVATION  
NOT TO SCALE

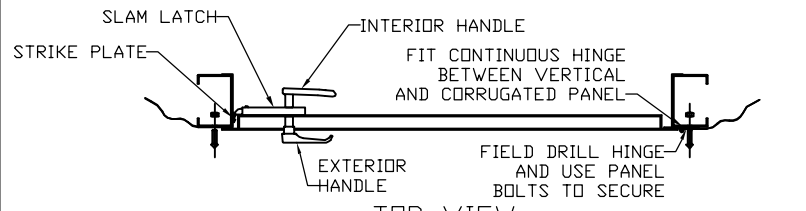
1ST ALARM - FOUR STORY  
FIRE TRAINING SIMULATOR

FIRE DEPARTMENT TRAINING SIMULATOR

THIS INFORMATION CONFORMS TO ALL APPLICABLE STANDARDS FOR THE TRAINING SIMULATORS AT THE TIME OF REVISION.  
THE DESIGN CONTRACTOR ASSUMES RESPONSIBILITY FOR ALL MATERIALS, AT TIME OF DELIVERY. THIS CONTRACTOR IS ALSO RESPONSIBLE TO ACCOUNT FOR ALL MATERIALS, AT TIME OF DELIVERY. IF THERE IS A DISCREPANCY IN THE MATERIALS, REVEALED CONTACT WITH MANUFACTURERS IMMEDIATELY IN ORDER TO MAKE PROPER ARRANGEMENTS TO PROVIDE THE NECESSARY MATERIAL.  
THIS SET OF DRAWINGS IS INTENDED AS A CONCEPTUAL SET, PROVIDED FOR SECONDARY REFERENCE ONLY. REFER TO DESIGN INDUSTRIES CONSTRUCTION DRAWINGS AND THE MANUFACTURER'S TECHNICAL DRAWINGS AS PRIMARY REFERENCE FOR EXACT MATERIAL DIMENSIONS, DECIMALS, AND PROCEDURES.  
THESE DIMENSIONS, SPECIFICATIONS, NOTES, DETAILS, AND DIMENSIONS ARE AND SHALL REMAIN THE PROPERTY OF WFP TRAINING TOWERS AND NO PART THEREOF SHALL BE COPIED, REPRODUCED, OR USED IN CONNECTION WITH ANY OTHER PROJECT WITHOUT THE WRITTEN CONSENT OF WFP TRAINING TOWERS.

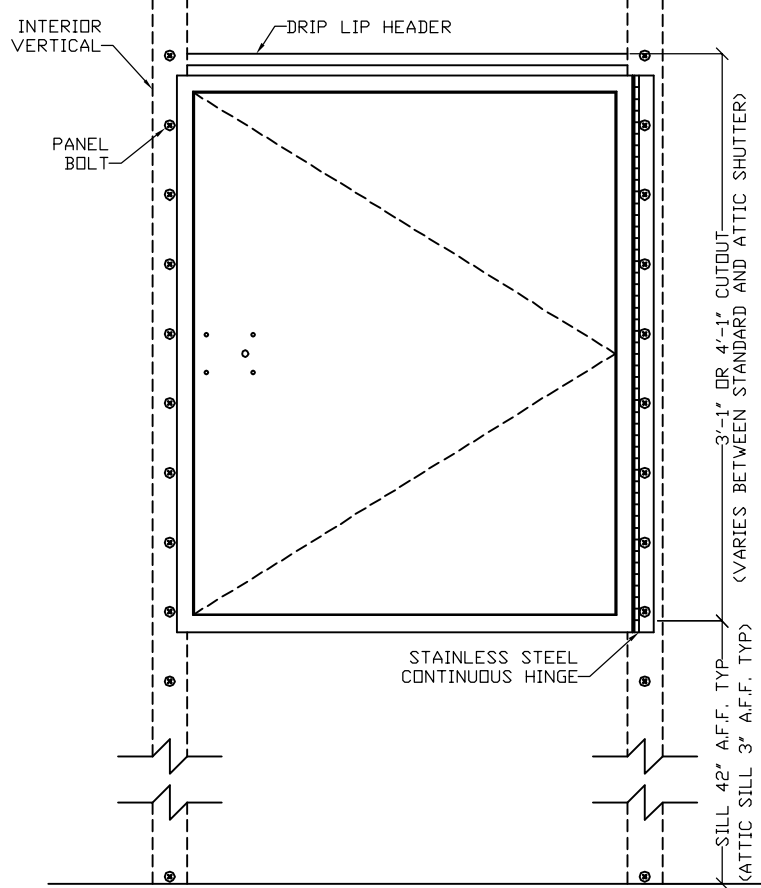
PROJECT NUMBER:	00-W-000	REVISION DATES
PROJECT ERECTOR:	JPK 2	
DRAWN BY:	JP 3	
REVIEWED BY:		
PRINT DATE:	00-00-00	4

REAR SIDE  
AND RIGHT SIDE  
ELEVATIONS



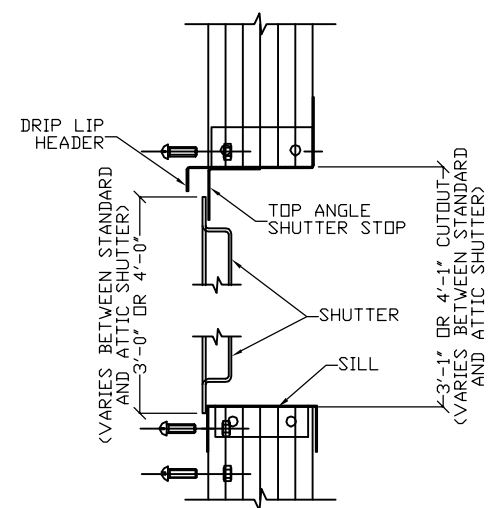
TOP VIEW

NOTE: CUT 5/16" SHANK FOR CORRECT FIT ON ALL BURN ROOM AND NON-BURN ROOM LEVERS

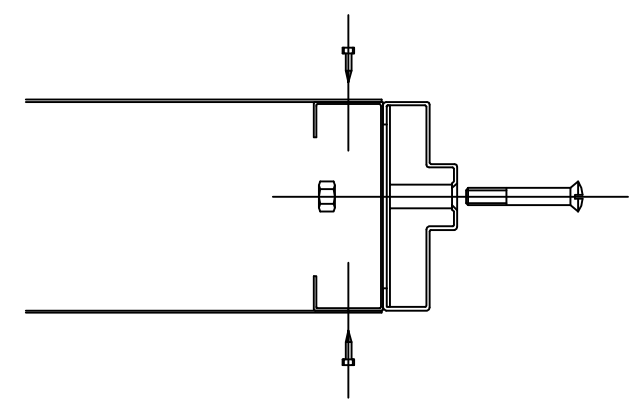


EXTERIOR VIEW

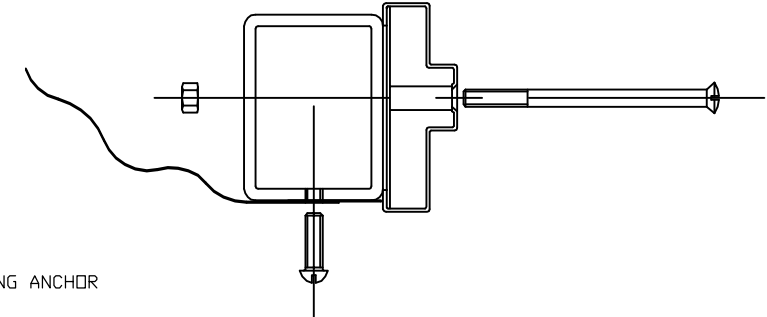
CLOSURE INSTALLATION DETAIL  
NOT TO SCALE



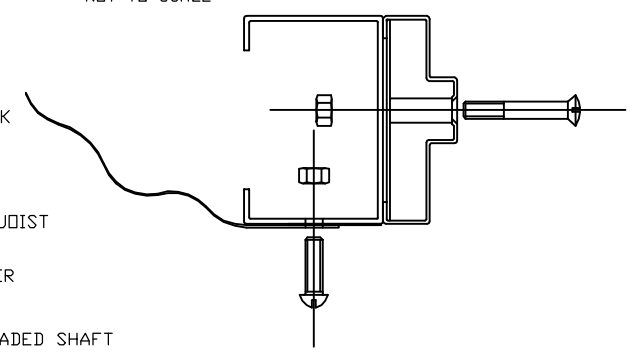
CLOSURE SECTION DETAIL  
NOT TO SCALE



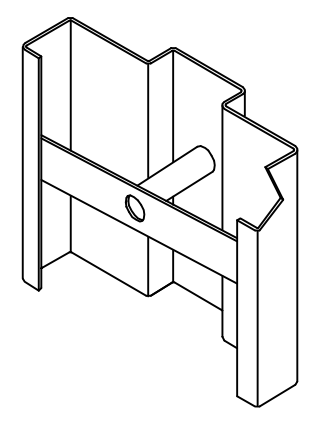
JAMB @ INTERIOR WALL  
NOT TO SCALE



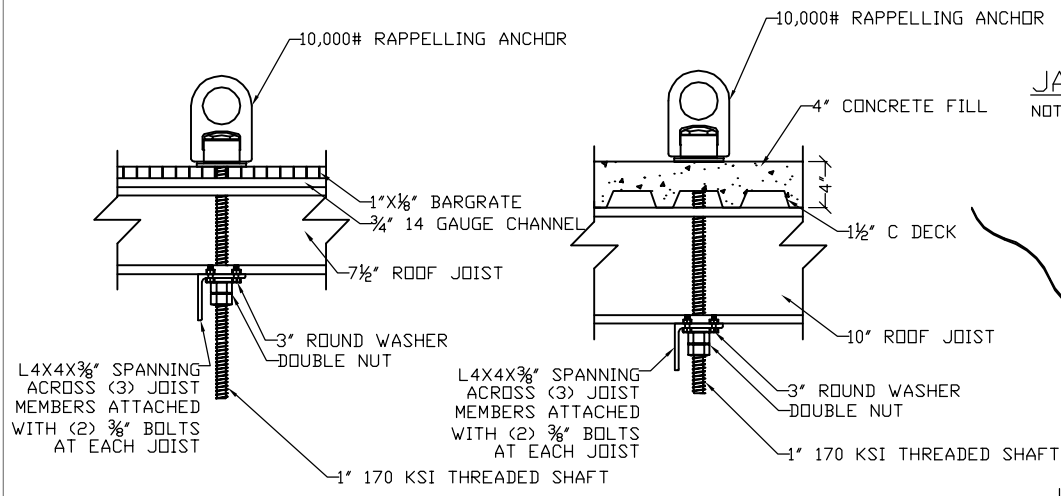
JAMB @ TUBE STEEL VERTICAL  
NOT TO SCALE



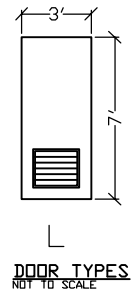
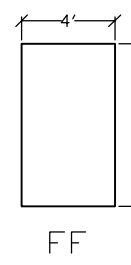
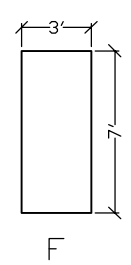
JAMB @ 12 GA CEE VERTICAL  
NOT TO SCALE



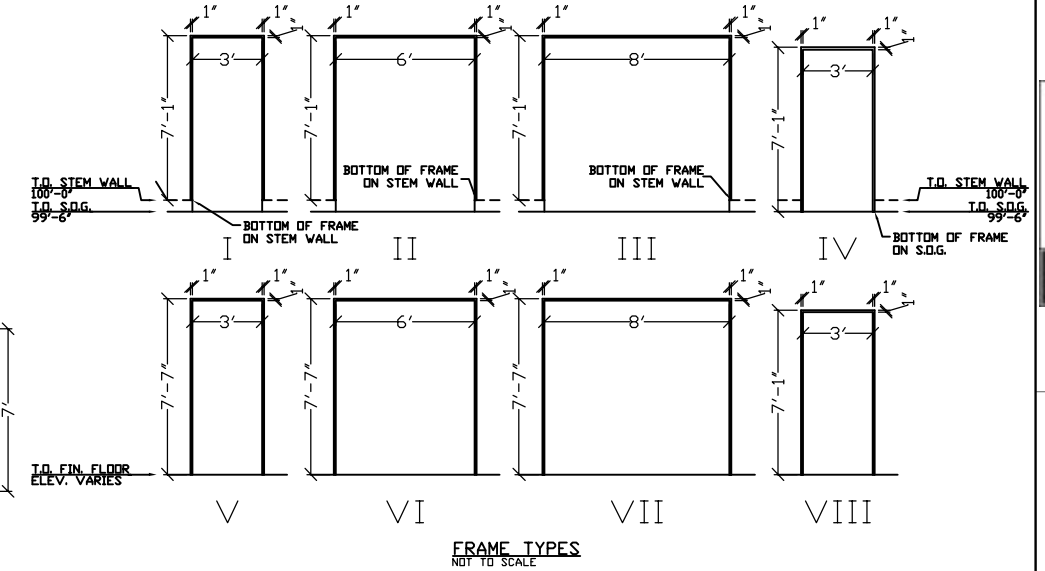
FRAME ANCHOR ISO  
NOT TO SCALE



RAPPELLING ANCHOR INSTALLATION DETAILS  
NOT TO SCALE



DOOR TYPES  
NOT TO SCALE



FRAME TYPES  
NOT TO SCALE

HARDWARE	HARDWARE SETS											
	H1	H2	H3	H4	H5	H6	H7	H8	H9	H10	H11	H12
SS BUTT HINGE	3	3	3	3	3	3	6	6				
SS CONTINUOUS HINGE									1	1	1	1
LOCKSET	1				1		1					
PASSAGE SET		1				1						
DOOR PULL			1	1				1				
BALL CATCH			1	1				1				
SPRING CLOSE			2	2				4				
BARREL BOLT			1					2				
ASTRIGAL							1	1				
DOOR SWEEP	1	1	1	1			2	2				
SLAM LATCH									1	1	1	1
SLAM LATCH STRIKE									1	1	1	1
INTERIOR HANDLE-STANDARD									1	1		
INTERIOR HANDLE-BURN ROOM											1	1
LOCKING HANDLE									1		1	
NON-LOCKING HANDLE										1		1

WINDOW SHUTTER SCHEDULE											
OPENING NUMBER	TYPE	APPROXIMATE SHUTTER WIDTH	APPROXIMATE SHUTTER HEIGHT	ROUGH OPENING SHUTTER WIDTH	ROUGH OPENING SHUTTER HEIGHT	SILL HEIGHT AFF.	GAUGE	MATERIAL & FINISH	PAINT FINISH	HARDWARE SET	REMARKS
V1	LOCKING NON-BURN ROOM SHUTTER	3'-3"	4'-0"	3'-2"	4'-1"	42"	12	G90	POWDER COAT	H9	
V2	LOCKING BURN ROOM SHUTTER	3'-3"	4'-0"	3'-2"	4'-1"	42"	12	G90	POWDER COAT	H11	PADGENITE INTERIOR FACE
V3	LOCKING ATTIC SHUTTER	3'-3"	3'-0"	3'-2"	3'-1"	3"	12	G90	POWDER COAT	H9	
V4	NON-LOCKING NON-BURN ROOM SHUTTER	3'-3"	4'-0"	3'-2"	4'-1"	42"	12	G90	POWDER COAT	H10	
V5	NON-LOCKING BURN ROOM SHUTTER	3'-3"	4'-0"	3'-2"	4'-1"	42"	12	G90	POWDER COAT	H12	PADGENITE INTERIOR FACE
V6	NON-LOCKING ATTIC SHUTTER	3'-3"	3'-0"	3'-2"	3'-1"	3"	12	G90	POWDER COAT	H10	

HOLLOW METAL DOORS AND FRAMES SCHEDULE																					
OPENING NUMBER	ROOM	FROM/TO	ROOM	QUANTITY	GENERAL			FRAME				DOOR			REMARKS						
					PAIR	WIDTH	HEIGHT	HARDWARE SET	FRAME TYPE	MATERIAL & FINISH	DEPTH	THROAT	JAMB FACE	HEAD FACE		JAMB ANCHORS	DOOR TYPE	GAUGE	MATERIAL & FINISH		
101	EXTERIOR	F	SECTION A	1	--	3'-0"	7'-0"	LHR	H1	I	16	A60	4-3/4"	3-3/4"	1"	1"	ED	F	18	A60	
102	SECTION A	F	SECTION B	1	--	3'-0"	7'-0"	LH	H4	I	16	A60	4-3/4"	3-3/4"	1"	1"	ED	F	18	A60	PADGENITE INTERIOR FACE
103	EXTERIOR	F	SECTION B	1	--	3'-0"	7'-0"	LH	H3	I	16	A60	4-3/4"	3-3/4"	1"	1"	ED	F	18	A60	PADGENITE INTERIOR FACE

1ST ALARM - FOUR STORY  
FIRE TRAINING SIMULATOR

FIRE DEPARTMENT TRAINING SIMULATOR

THIS INFORMATION CONFORMS TO ALL APPLICABLE STANDARDS FOR THE TRAINING SIMULATORS AT THE TIME OF REVISION.

THE DESIGN CONTRACTOR ASSUMES RESPONSIBILITY FOR ALL MATERIALS, AT THE TIME OF DESIGN. THIS CONTRACTOR IS ALSO RESPONSIBLE TO ACCOUNT FOR ALL MATERIALS, AT THE TIME OF REVISION. IF THERE IS A DISCREPANCY IN THE MATERIAL REVISIONS, CONTACT THE PROJECT ARCHITECT IMMEDIATELY IN ORDER TO MAKE NECESSARY ARRANGEMENTS TO PROVIDE THE NECESSARY MATERIAL.

THIS SET OF DRAWINGS IS INTENDED AS A CONCEPTUAL SET, PROVIDED FOR SECONDARY REFERENCE ONLY. REFER TO BIDDING DOCUMENTS, CONSTRUCTION DRAWINGS AND THE BIDDING SCHEDULE FOR THE SPECIFIC PROJECT FOR WHICH THEY HAVE BEEN PREPARED WITHOUT WRITING CONSENT OF THE ENGINEER.

THESE DRAWINGS, SPECIFICATIONS, MEASUREMENTS, AND DIMENSIONS ARE AND SHALL REMAIN THE PROPERTY OF THE ENGINEER AND SHALL BE KEPT IN CONFIDENCE. ANY REPRODUCTION OR USE OF THESE DRAWINGS FOR ANY OTHER PROJECT WITHOUT THE WRITING CONSENT OF THE ENGINEER IS STRICTLY PROHIBITED.

PROJECT NUMBER:	00-W-000	REVISION DATES:
PROJECT ERECTOR:	PK 2	
DRAWN BY:	P 3	
REVIEWED BY:		
PRINT DATE:	00-00-00	4

WINDOW CLOSURE DETAIL,  
DOOR DETAIL, SCHEDULE,  
AND RAPPELLING ANCHOR DETAIL