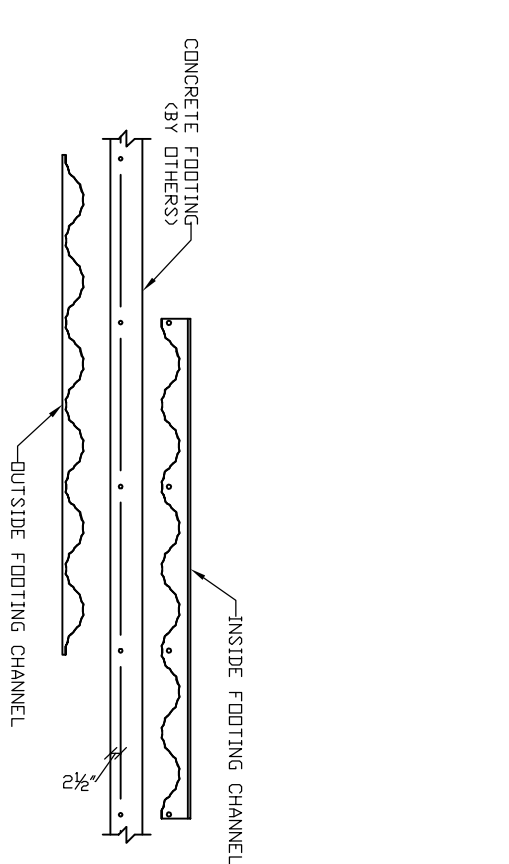


GENERAL NOTES

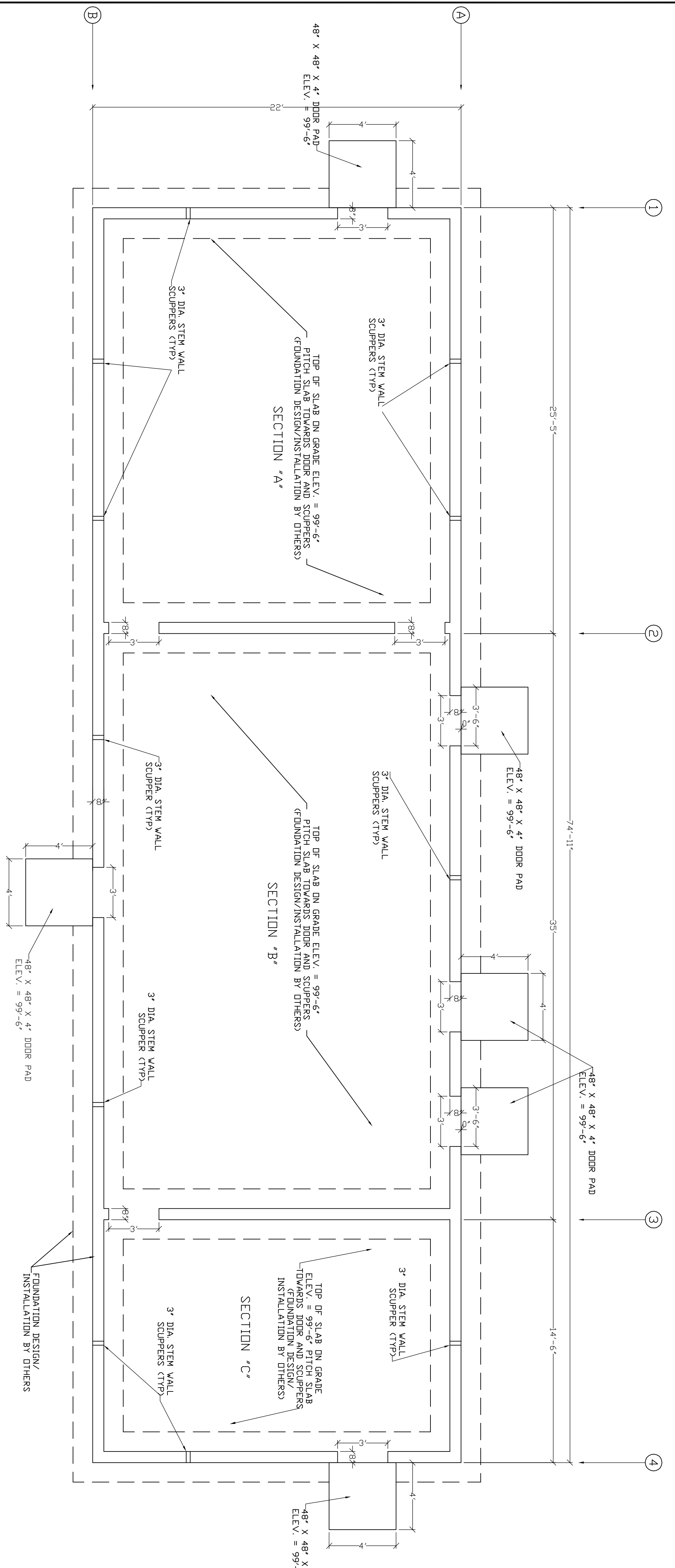
- 1) THIS INFORMATION CONFORMS TO ALL APPLICABLE STANDARDS FOR FIRE TRAINING SIMULATORS AT THE TIME OF PREPARATION.
- 2) THE ERECTION CONTRACTOR ASSUMES RESPONSIBILITY FOR ALL MATERIALS, AT THE TIME OF DELIVERY. THIS CONTRACTOR IS ALSO RESPONSIBLE TO ACCOUNT FOR ALL MATERIAL, AT THE TIME OF DELIVERY. IF THERE IS A DISCREPANCY IN THE MATERIAL DELIVERED, CONTACT WHP TRAININGTOWERS IMMEDIATELY IN ORDER TO MAKE PROPER ARRANGEMENTS TO PROVIDE THE NECESSARY MATERIAL.
- 3) THIS SET OF DRAWINGS IS INTENDED AS A CONCEPTUAL SET PROVIDED FOR SECONDARY REFERENCE ONLY. REFER TO BEHLEN INDUSTRIES' CONSTRUCTION DRAWINGS AND THE MISCELLANEOUS METALS DRAWINGS AS PRIMARY REFERENCE FOR EXACT MATERIAL, DIMENSIONS, ERECTION, AND PROCEDURES.
- 4) THESE DRAWINGS, SPECIFICATIONS, IDEAS, DESIGN, AND ARRANGEMENTS ARE AND SHALL BE COPYRIGHTED BY WHP TRAININGTOWERS. NO PART OF THIS DRAWING OR PROJECT OTHER THAN THE SPECIFIC PROJECT FOR WHICH THEY HAVE BEEN PREPARED WITHOUT WRITTEN CONSENT FROM WHP TRAININGTOWERS.
- 5) WRITTEN DIMENSIONS ON THESE DRAWINGS SHALL TAKE PRECEDENCE OVER SCALED DIMENSIONS. THE CONTRACTOR SHALL BE RESPONSIBLE FOR VERIFYING ALL DIMENSIONS AND CONDITIONS ON THE JOB AND WHP TRAININGTOWERS SHALL BE NOTIFIED IMMEDIATELY OF ANY VARIATIONS OR DISCREPANCIES FROM THE DIMENSIONS AND CONDITIONS SHOWN BY THESE DRAWINGS. ANY FIELD CHANGES OR MODIFICATIONS TO EITHER THE STRUCTURE OR ADDITIVE COMPONENTS MUST BE REPORTED AND APPROVED BY WHP TRAININGTOWERS PRIOR TO PERFORMING ANY WORK.
- 6) MISCELLANEOUS FIELD CUTTING AND FITTING OF BOTH STRUCTURAL AS WELL AS LIGHT GAUGE FRAMING COMPONENTS WILL BE NECESSARY TO BE ABLE TO PERFORM THE INSTALLATION PROCEDURES REQUIRED AND WILL BE CONSIDERED AS A STANDARD CONDITION AND REQUIREMENT FOR ERECTION OF THIS LIVE FIRE TRAINING SIMULATOR AND ITS COMPONENTS.
- 7) DOORS SHALL BE PAINTED 18 GA HOT-DIPPED GALVANIZED HOLLOW METAL SLABS WITH CONTINUOUSLY WELDED SEAMS. DOOR FRAMES SHALL BE 1" PAINTED 16 GA HOT-DIPPED GALVANIZED FRAMES. EACH EXTERIOR NON-BURN ROOM DOOR SHALL BE PROVIDED WITH (1) HEAVY-DUTY STAINLESS STEEL BALL BEARING HINGES, (2) NON-BURN ROOM DOOR SHALL BE PROVIDED WITH (3) HEAVY-DUTY STAINLESS STEEL BALL BEARING HINGES, (1) COMMERCIAL GRADE PASSAGE SET, AND (2) DOOR MUTES. EACH BURN ROOM DOOR SHALL BE PROVIDED WITH (3) HEAVY-DUTY STAINLESS STEEL BALL BEARING HINGES, (2) SPRING-TYPE CLOSING DEVICES, (1) DOOR PULL, (3) ADJUSTABLE BALL CATCH, AND (3) 8" LOCKABLE BARREL BOLT FOR PROVIDED WITH (1) METAL ASTRIKING. ALL DOOR FRAMES SHALL NOT SIT ON THE CONCRETE STEM WALL SHALL EXTEND 6" FROM THE BOTTOM OF DOOR SLAB. ALL DOORS SHALL HAVE (1) HIGH-TEMP DOOR SWEEP INSTALLED ON THE OUTSWING SIDE OF THE DOOR. THE DOOR SWEEP SHALL DRAG AGAINST THE FINISHED FLOOR LEVEL.
- 8) WINDOW CLOSURES SHALL BE PAINTED 12 GA HOT-DIPPED GALVANIZED SINGLE LEAVES WITH A 1" DEEP PAN FRAME DESIGN. EACH NON-BURN ROOM CLOSURE ACCESSIBLE FROM THE GROUND SHALL BE PROVIDED WITH (1) STAINLESS STEEL CONTINUOUS HINGE, (1) SLAM LATCH, (3) KEVED LEVER ON THE EXTERIOR SIDE OF THE CLOSURE, AND (3) PASSAGE LEVER ON THE INTERIOR SIDE OF THE CLOSURE. PROVIDED WITH (3) STAINLESS STEEL CONTINUOUS HINGE, (1) SLAM LATCH, (1) PASSAGE LEVER ON THE EXTERIOR SIDE OF THE CLOSURE, AND (1) PASSAGE LEVER ON THE INTERIOR SIDE OF THE CLOSURE. EACH BURN ROOM CLOSURE SHALL BE PROVIDED WITH ONE OF THE ABOVE HARDWARE SETS AND SHALL INCLUDE (3) RAUDERITE MOUNTING CHANNELS WELDED ON THE INTERIOR SIDE OF THE CLOSURE. ALL CLOSURES SHALL BE PAINTED WITH THE SAME FINISH AS THE CLOSURE PAN. ALL STILL ELEVATIONS SHALL BE 42" ABOVE FINISHED FLOOR ELEVATION.
- 9) FLOOR DECKS ABOVE GRADE SHALL BE CONCRETE OVER GALVANIZED 15" C/C DECK FASTENED DIRECTLY TO FLOOR JOISTS USING SELF-DRILLING/SELF-THREADING TEK FIELD CUTTING AND FITTING AS REQUIRED TO ACCOMMODATE THE BUILDING CONFIGURATION. CONCRETE FILL SHALL BE 4" IN DEPTH. CONCRETE SHALL BE A SMALL AGGREGATE CONCRETE WITH FIBER MESH REINFORCING. CONCRETE SHALL BE PITCHED TO EXTERIOR WALLS AND DOOR OPENINGS. FINISH SHALL BE A LIGHT BROWN FINISH. CONCRETE FILL BY OTHERS).
- 10) ALL CORRUGATED ROOF AND WALL PANELS ARE TO BE PREFINISHED IN ONE OF 13 STANDARD COLORS. COMPOUND CORRUGATED WALL PANELS ARE 3'-5" WIDE AND 14 1/2" DEEP. COMPOUND CORRUGATED ROOF PANELS ARE TO BE 3'-5" WIDE AND 7 1/2" DEEP. ALL WALL AND ROOF PANELS ARE TO BE BOLTED AT 6" O.C. INCREMENTS UTILIZING 3/8" DIAMETER BOLT FASTENERS PROVIDED IN A COLOR TO MATCH THE WALL OR ROOF PANEL COLOR.
- 11) ALL INTERIOR WALL PARTITIONS SHALL BE CONSTRUCTED OF 4 1/2" X 18 GA GALVANIZED METAL STUDS AT 24" O.C. AND 4 1/2" X 18 GA GALVANIZED METAL TRACK. ALL SIDES OF INTERIOR PARTITIONS NOT RECEIVING BURN ROOM PANELS SHALL RECEIVE 18 GA GALVANIZED SHEETING FASTENED WITH #8 X 3/4" LOW PROFILE TEK SCREWS AT 12" O.C.

DESIGN LOADS

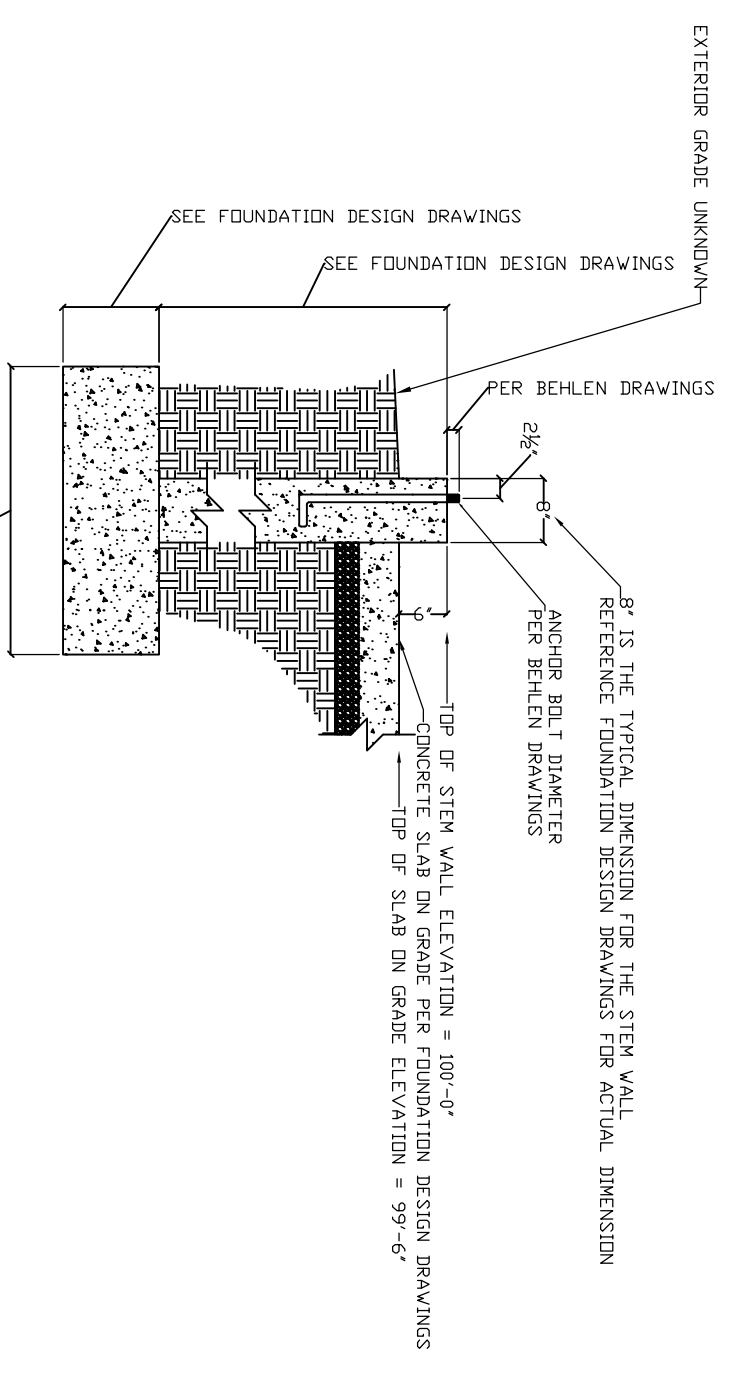
ROOF LOAD	100 PSF
FLOOR LOAD	100 PSF
WIND LOAD	100 PSF
WIND EXPOSURE	--- MPH



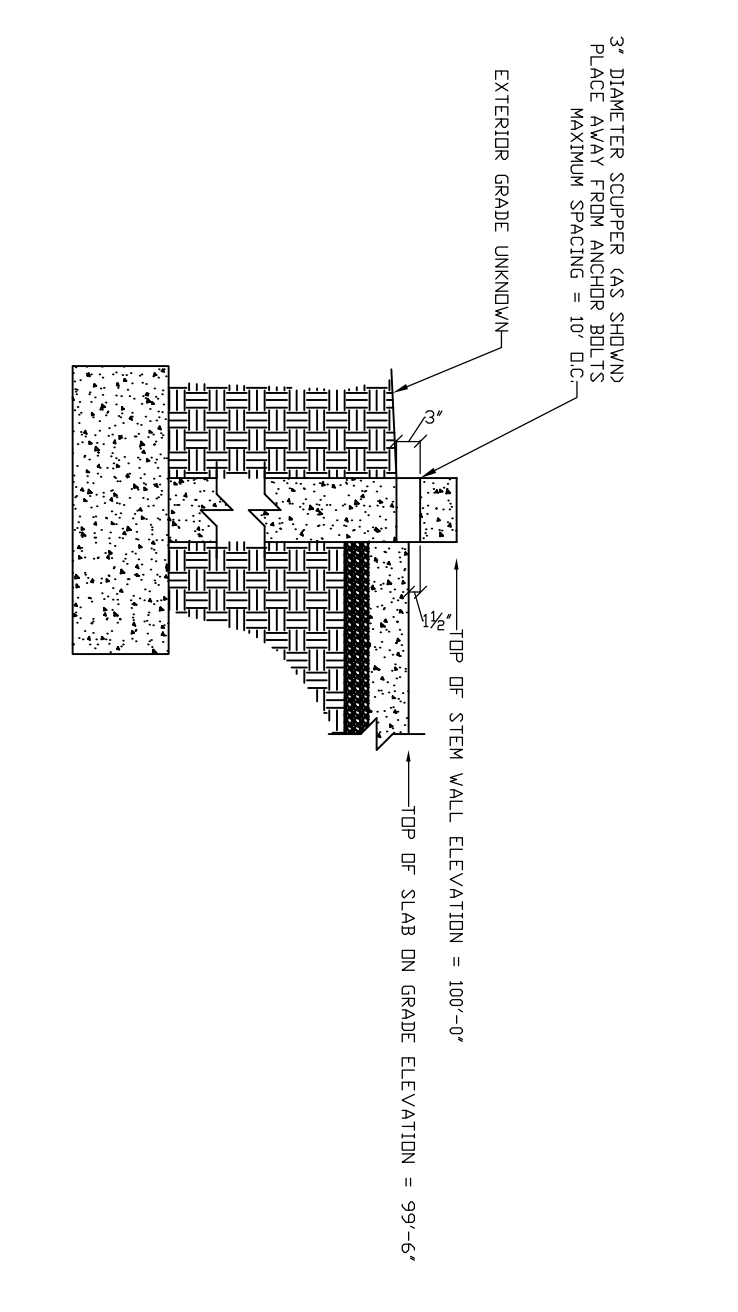
ERECTION NOTE - STAGGER CHANNEL AS SHOWN
NOT TO SCALE



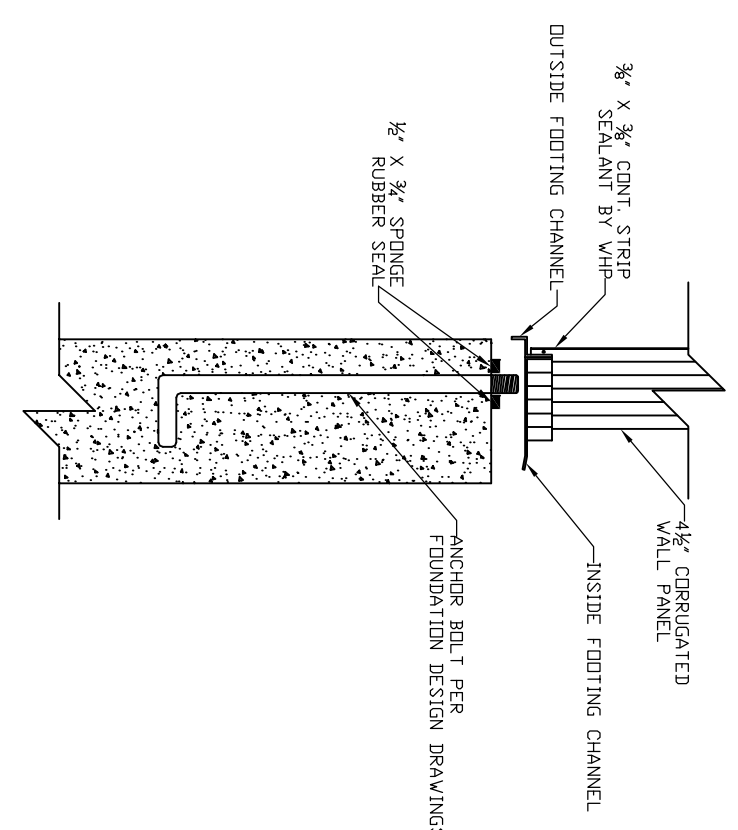
CONCEPTUAL FOUNDATION LAYOUT
NOT TO SCALE



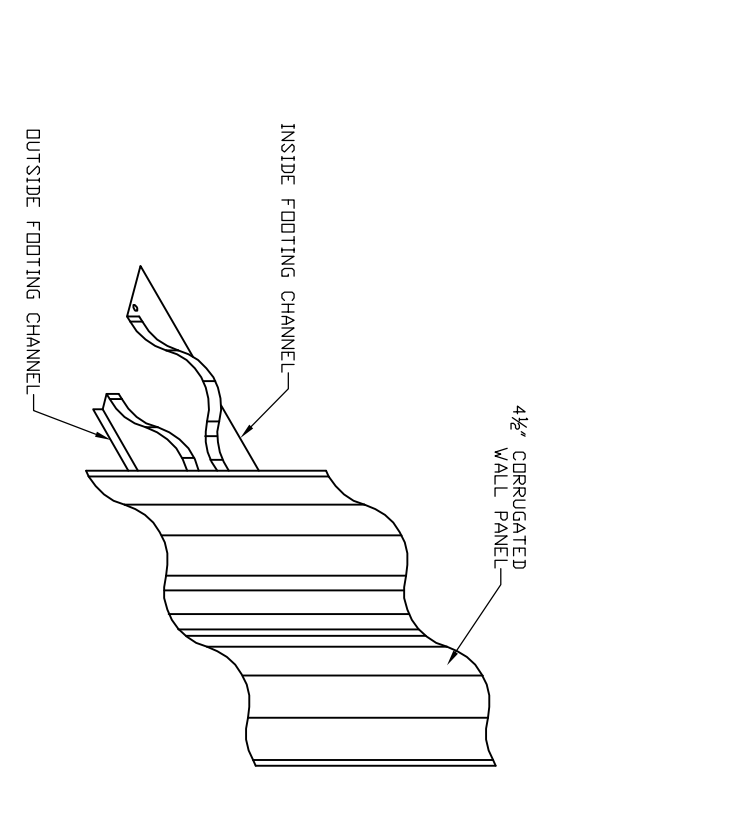
ANCHOR BOLT DETAIL (TYP)
NOT TO SCALE



WALL SCUPPER DETAIL (TYP)
NOT TO SCALE



FOUNDATION CHANNEL DETAIL (TYP)
NOT TO SCALE



WALL PANEL DETAIL (TYP)
NOT TO SCALE

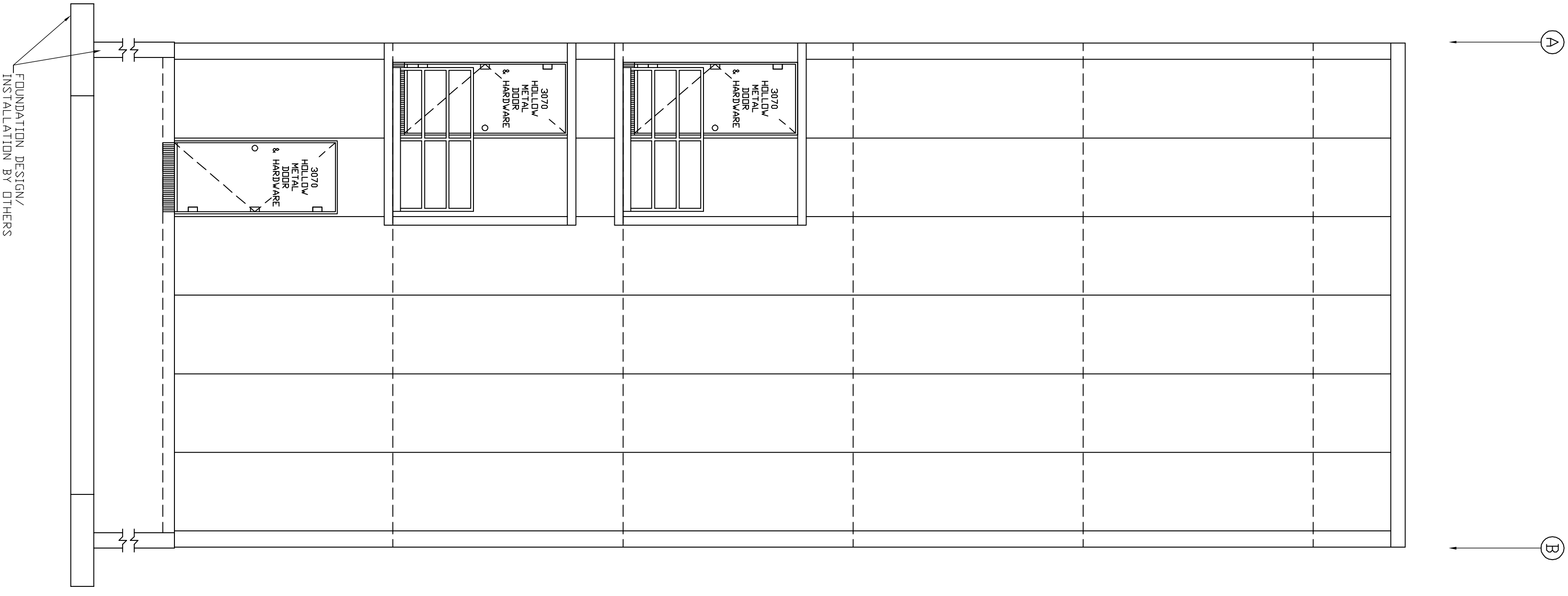
PROJECT NUMBER:	00-W-000	REVISION DATES
PROJECT ERECTOR:	JPK	1
DRAWN BY:	JPK	2
REVIEWED BY:	JPK	3
PRINT DATE:	00-00-00	4

FOUNDATION PLAN

GENERAL ALARM - FIVE STORY
FIRE TRAINING SIMULATOR
FIRE DEPARTMENT TRAINING SIMULATOR

whp trainingtowers.com
A DIV. OF J.S.C. INC.
9121 BOND OVERLAND PARK, KS 66214
TEL. 913-385-3663 FAX: 913-385-7078
TOLL FREE 1-800-351-2525 www.trainingtowers.com

LEFT SIDE ELEVATION
NOT TO SCALE



FRONT SIDE ELEVATION
NOT TO SCALE



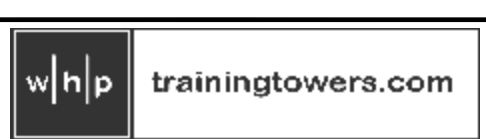
PROJECT NUMBER:	00-W-000	REVISION DATES
PROJECT ERECTOR:		1
DRAWN BY:	JPK	2
REVIEWED BY:	JPK	3
PRINT DATE:	00-00-00	4

FRONT SIDE AND LEFT SIDE ELEVATIONS

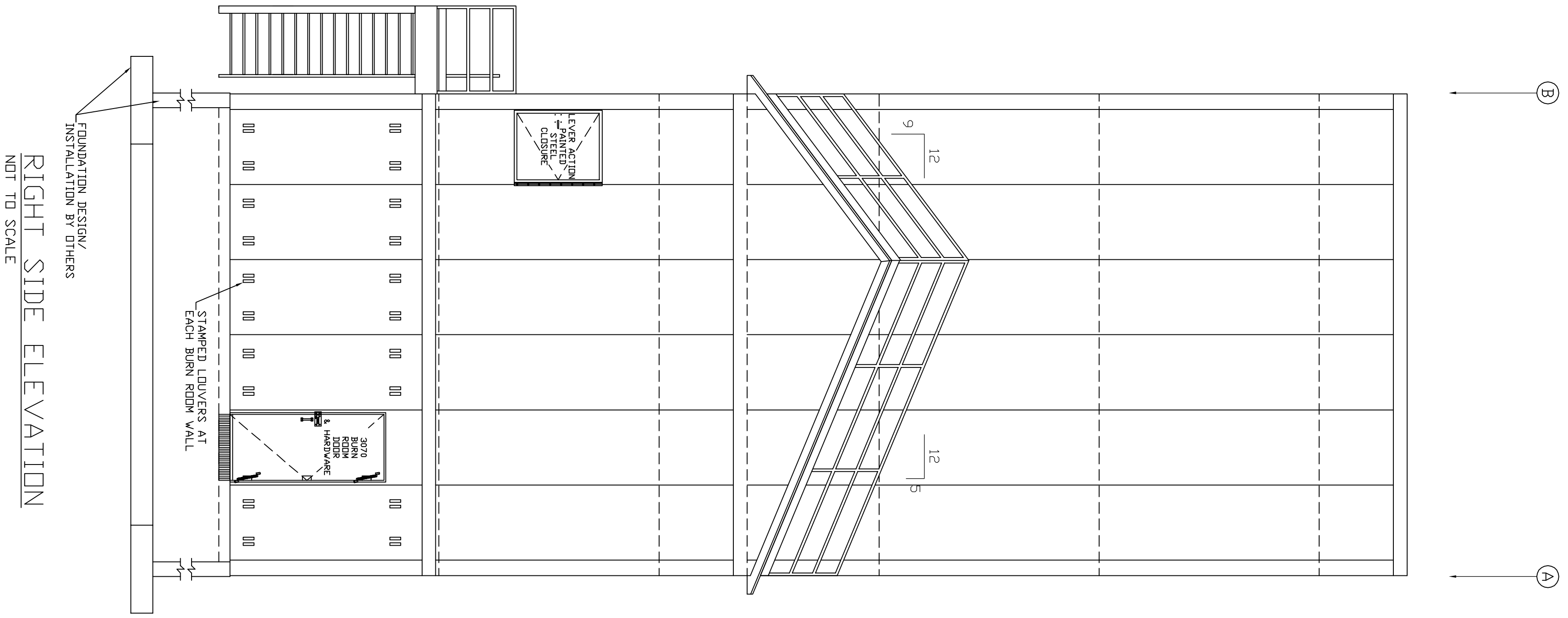
THIS DRAWING CONTAINS TO ALL APPLICABLE SYMBOLOGY FOR THE BRANDED SIMULATORS AT THE TIME OF THE ORIGINAL DESIGN. ANY CHANGES TO THE ORIGINAL DESIGN SHALL BE INDICATED BY A REVISION. THE USER SHALL BE RESPONSIBLE FOR VERIFYING THE ACCURACY OF THE INFORMATION PROVIDED IN THIS DRAWING. THE USER SHALL BE RESPONSIBLE FOR OBTAINING ALL NECESSARY PERMITS AND APPROVALS FROM ALL APPLICABLE AGENCIES. THE USER SHALL BE RESPONSIBLE FOR OBTAINING ALL NECESSARY PERMITS AND APPROVALS FROM ALL APPLICABLE AGENCIES. THE USER SHALL BE RESPONSIBLE FOR OBTAINING ALL NECESSARY PERMITS AND APPROVALS FROM ALL APPLICABLE AGENCIES.

GENERAL ALARM - FIVE STORY FIRE TRAINING SIMULATOR

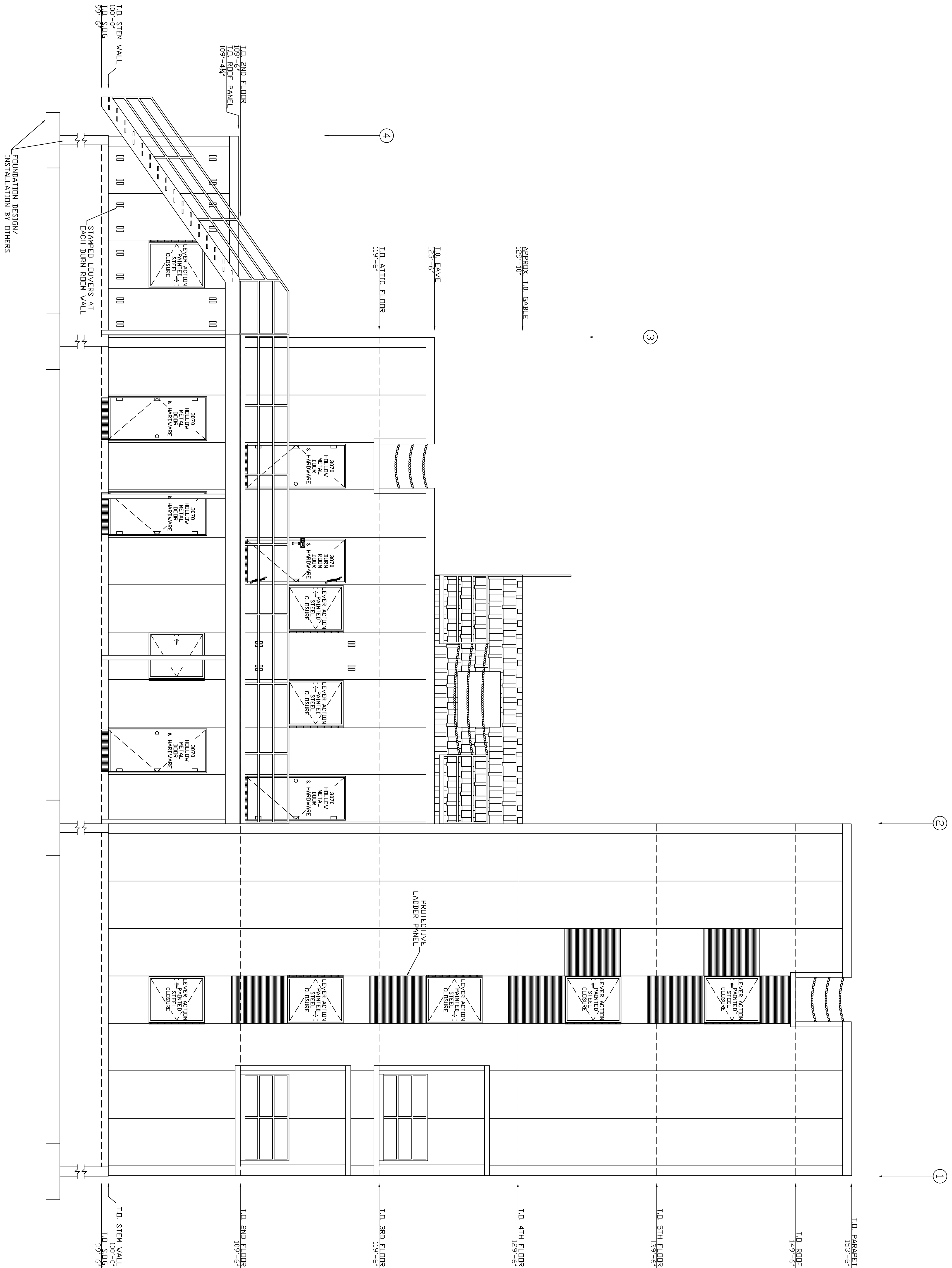
FIRE DEPARTMENT TRAINING SIMULATOR



A DIV. OF J.S.C. INC
9121 BOND OVERLAND PARK, KS 66214
TEL. 913-385-3663 FAX: 913-385-7078
TOLL FREE 1-800-351-2525 www.trainingtowers.com



RIGHT SIDE ELEVATION
NOT TO SCALE



REAR SIDE ELEVATION
NOT TO SCALE

PROJECT NUMBER:	00-W-000	REVISION DATES
PROJECT DIRECTOR:		1
DRAWN BY:	JPK	2
REVIEWED BY:	JPK	3
PRINT DATE:	00-00-00	4

REAR SIDE
AND RIGHT SIDE
ELEVATIONS

THIS DRAWING CONTAINS TO ALL APPLICABLE STANDARDS FOR THE BURN ROOM SIMULATORS AT THE FIRE DEPARTMENT TRAINING SIMULATOR. THE ARCHITECT, AT THE TIME OF DESIGN, HAS CONDUCTED VISUAL GENERAL VERIFICATION OF THE BURN ROOM SIMULATORS AND HAS FOUND THEM TO BE IN CONFORMANCE WITH THE DESIGN INTENT. THE ARCHITECT HAS NOT CONDUCTED VISUAL GENERAL VERIFICATION OF THE BURN ROOM SIMULATORS AT THE TIME OF DESIGN. THE ARCHITECT HAS NOT CONDUCTED VISUAL GENERAL VERIFICATION OF THE BURN ROOM SIMULATORS AT THE TIME OF DESIGN. THE ARCHITECT HAS NOT CONDUCTED VISUAL GENERAL VERIFICATION OF THE BURN ROOM SIMULATORS AT THE TIME OF DESIGN.

GENERAL ALARM - FIVE STORY FIRE TRAINING SIMULATOR

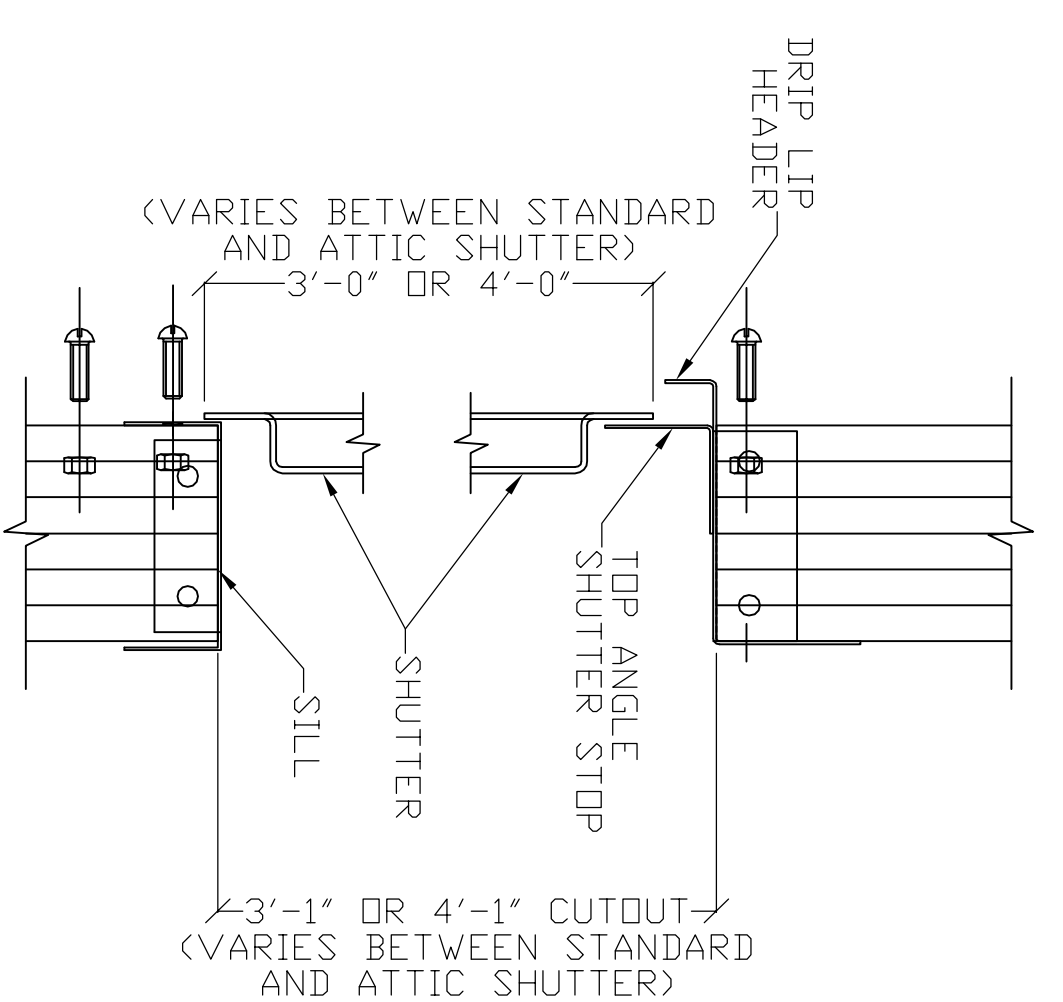
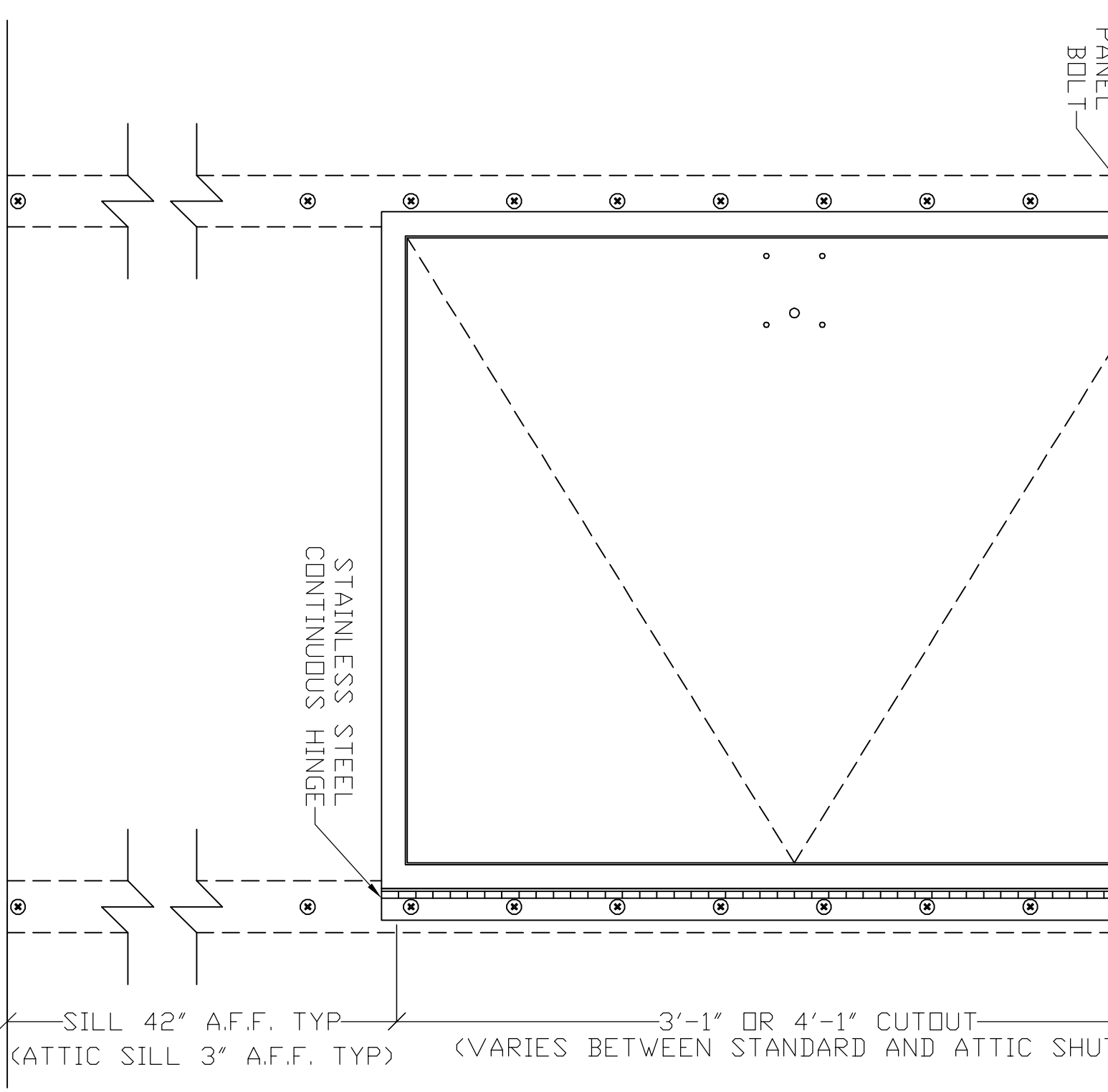
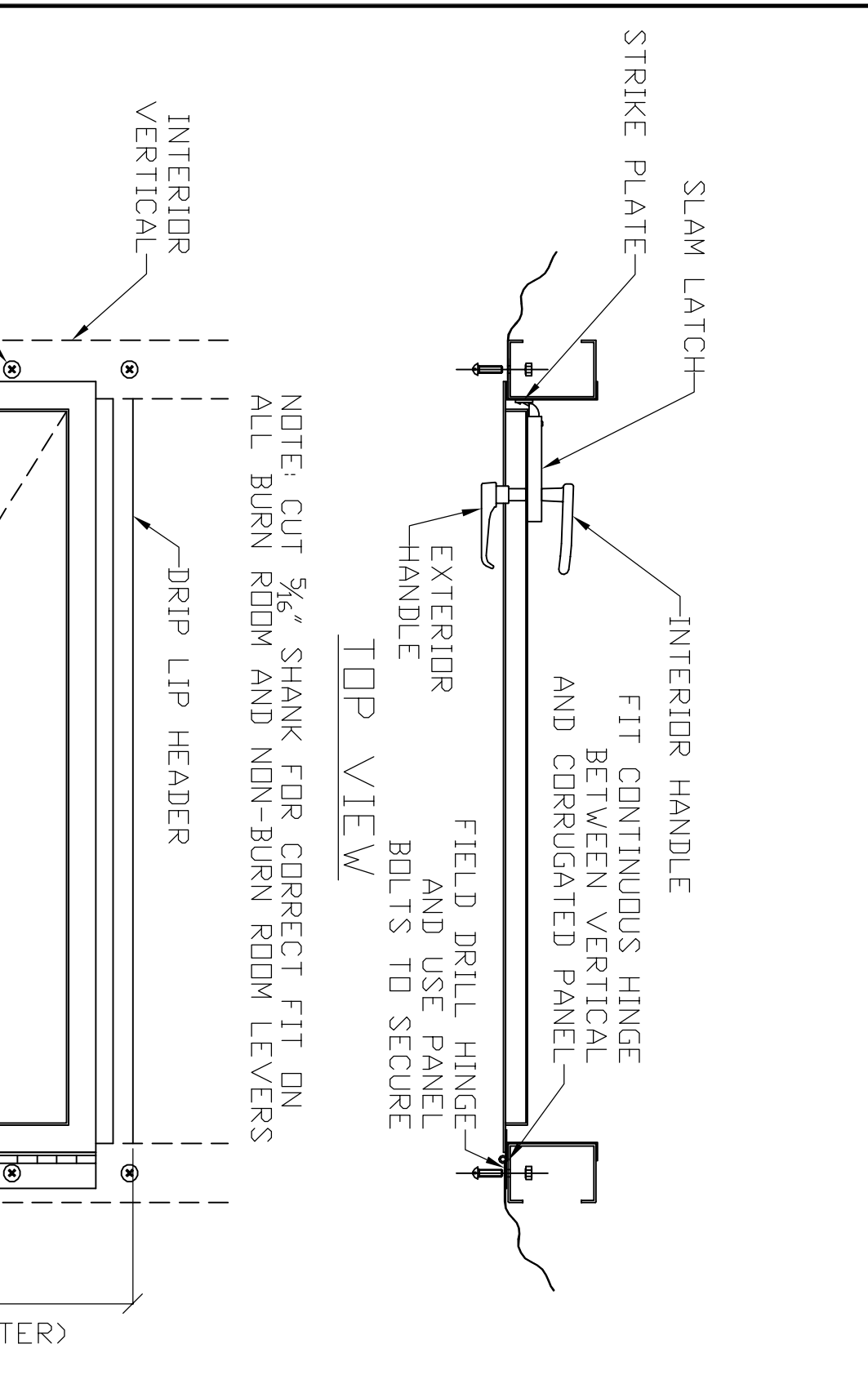
FIRE DEPARTMENT TRAINING SIMULATOR



A DIV. OF J.S.C. INC

9121 BOND OVERLAND PARK, KS 66214
TEL. 913-385-3663 FAX: 913-385-7078

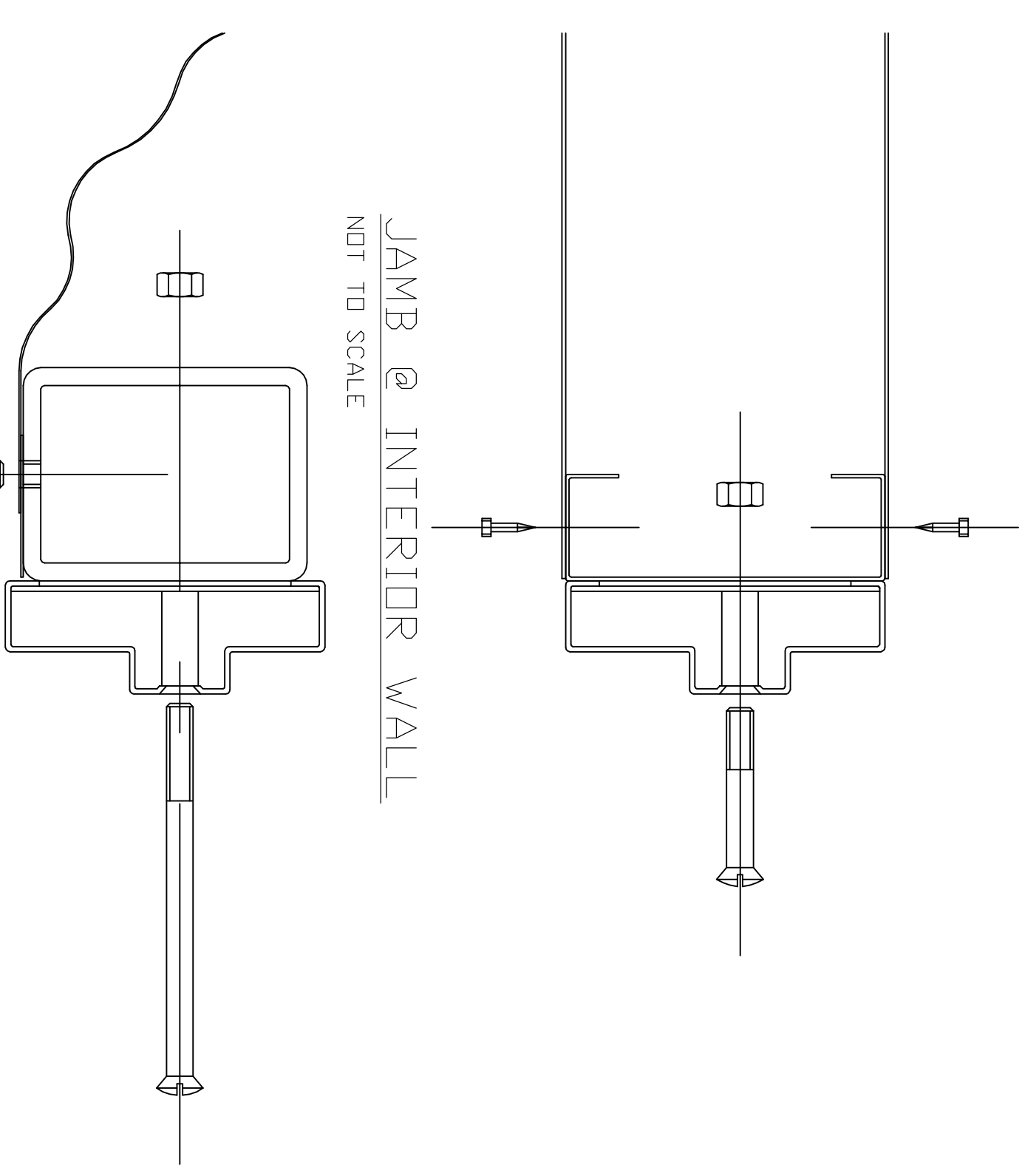
TOLL FREE 1-800-351-2525 www.trainingtowers.com



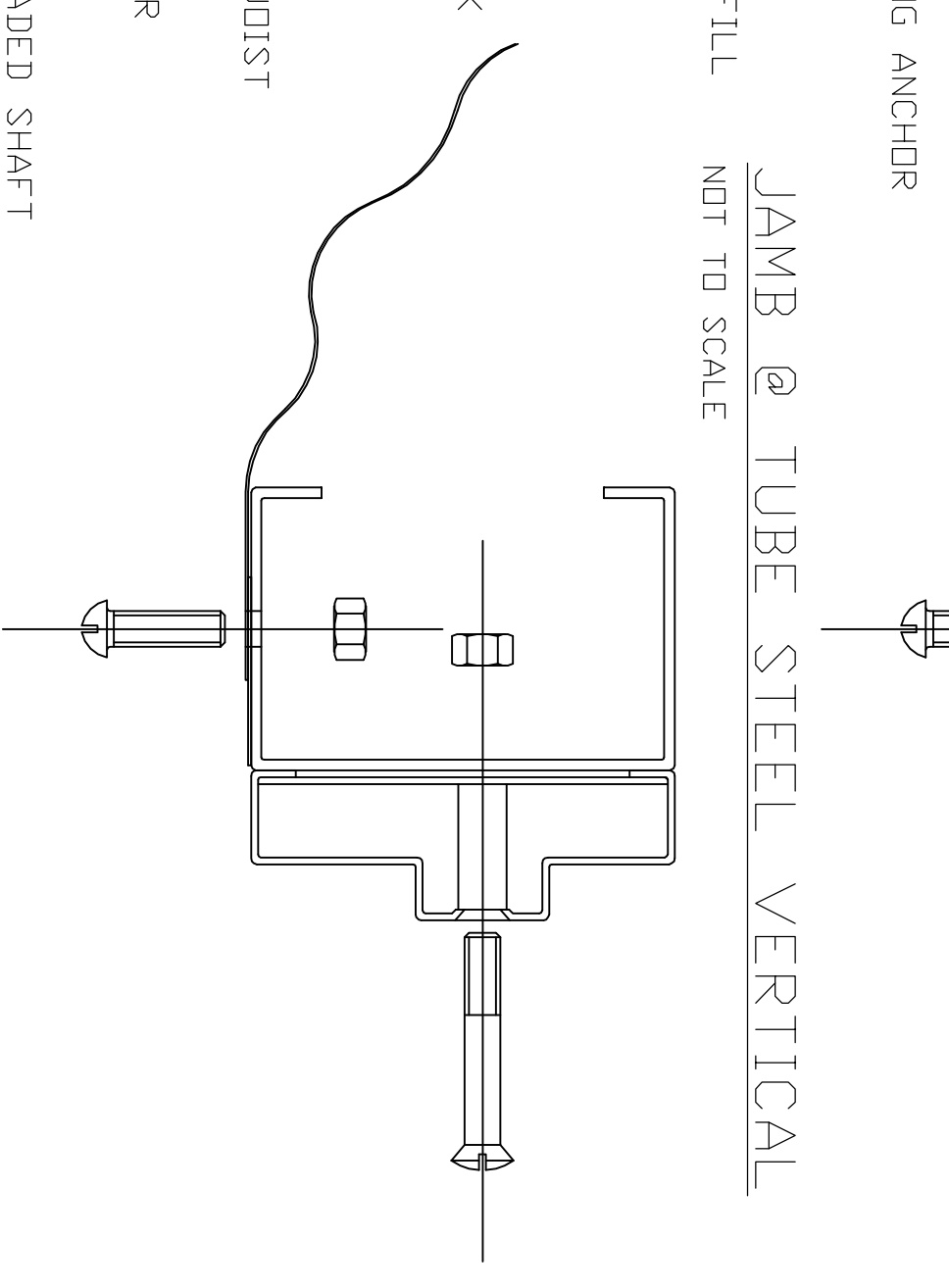
CLOSURE INSTALLATION DETAIL
NOT TO SCALE

CLOSURE SECTION DETAIL
NOT TO SCALE

JAMB @ INTERIOR WALL
NOT TO SCALE

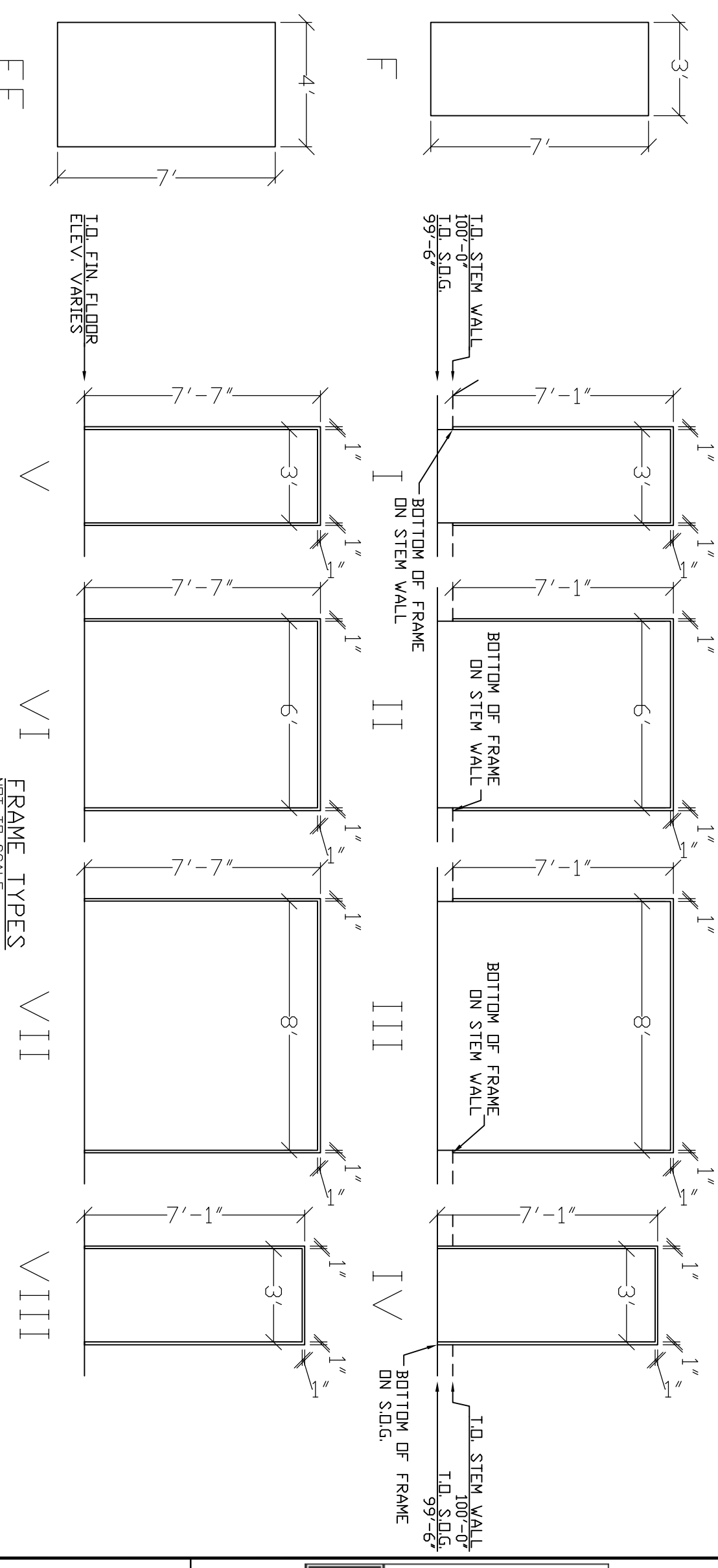
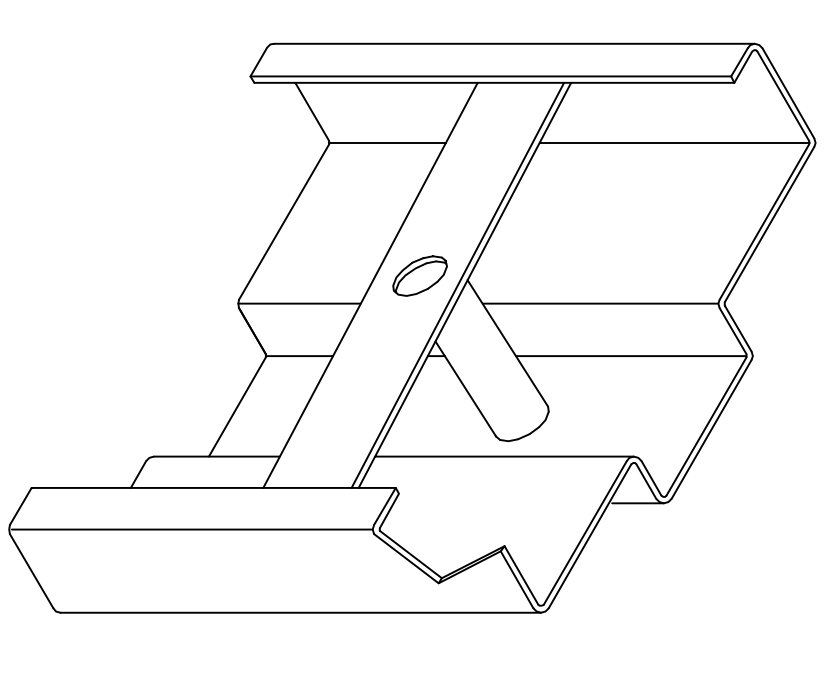


JAMB @ TUBE STEEL VERTICAL
NOT TO SCALE



JAMB @ 12 GA CEE VERTICAL
NOT TO SCALE

FRAME ANCHOR ISD
NOT TO SCALE



HARDWARE	HARDWARE SETS											
	H1	H2	H3	H4	H5	H6	H7	H8	H9	H10	H11	H12
SS BUTT HINGE	3	3	3	3	3	3	6	6	1	1	1	1
SS CONTINUOUS HINGE												
LOCKSET	1					1						
PASSAGE SET												
DOOR PULL	1	1	1	1								
BALL CATCH	1	1	1	1								
SPRING CLOSE	2	2										
BARREL BOLT	1	1	1	1								
ASTRICAL												
DOOR SWEEP	1	1	1	1								
SLAM LATCH												
SLAM LATCH STRIKE												
INTERIOR HANDLE-STANDARD												
INTERIOR HANDLE-BURN ROOM												
LOCKING HANDLE												
NON-LOCKING HANDLE												

OPENING NUMBER	TYPE	WINDOW SHUTTER SCHEDULE											
		APPROXIMATE SHUTTER WIDTH	APPROXIMATE SHUTTER HEIGHT	ROUGH OPENING CUTOUT WIDTH	ROUGH OPENING CUTOUT HEIGHT	SILL HEIGHT A.F.F.	GAUGE	MATERIAL & FINISH	PAINT FINISH	HARDWARE SET	REMARKS		
V1	LOCKING NON-BURN ROOM SHUTTER	3'-3"	4'-0"	3'-2"	4'-1"	4-2"	G90	POWDER COAT	H9				
V2	LOCKING BURN ROOM SHUTTER	3'-3"	4'-0"	3'-2"	4'-1"	4-2"	G90	POWDER COAT	H11	PAIDEMITE INTERIOR FACE			
V3	LOCKING ATTIC SHUTTER	3'-3"	3'-0"	3'-2"	3'-1"	3'	G90	POWDER COAT	H9				
V4	NON-LOCKING NON-BURN ROOM SHUTTER	3'-3"	4'-0"	3'-2"	4'-1"	4-2"	G90	POWDER COAT	H10	PAIDEMITE INTERIOR FACE			
V6	NON-LOCKING ATTIC SHUTTER	3'-3"	3'-0"	3'-2"	3'-1"	3'	G90	POWDER COAT	H10				

HOLLOW METAL DOORS AND FRAMES SCHEDULE

OPENING NUMBER	ROOM	FROM/TO	ROOM	QUANTITY PAIR	WIDTH	HEIGHT	HAND/SWING	HARDWARE SET	FRAME TYPE	GAUGE	MATERIAL & FINISH	DEPTH	THROAT	JAMB FACE	HEAD FACE	JAMB ANCHORS	DOOR TYPE	GAUGE	MATERIAL & FINISH	REMARKS	
																					LOCATION
101	EXTERIOR	F	SECTION A	1	3'-0"	7'-0"	RH	H1	16	16	16	16	16	16	16	16	16	16	16	16	
102	SECTION B	F	SECTION A	1	3'-0"	7'-0"	RH	H1	16	16	16	16	16	16	16	16	16	16	16	16	
103	EXTERIOR	F	SECTION B	1	3'-0"	7'-0"	RH	H1	16	16	16	16	16	16	16	16	16	16	16	16	
104	SECTION B	F	SECTION B	1	3'-0"	7'-0"	RH	H1	16	16	16	16	16	16	16	16	16	16	16	16	
105	EXTERIOR	F	SECTION B	1	3'-0"	7'-0"	RH	H1	16	16	16	16	16	16	16	16	16	16	16	16	
106	SECTION B	F	SECTION B	1	3'-0"	7'-0"	RH	H1	16	16	16	16	16	16	16	16	16	16	16	16	
107	EXTERIOR	F	SECTION B	1	3'-0"	7'-0"	RH	H1	16	16	16	16	16	16	16	16	16	16	16	16	
108	SECTION B	F	SECTION B	1	3'-0"	7'-0"	RH	H1	16	16	16	16	16	16	16	16	16	16	16	16	
109	EXTERIOR	F	SECTION B	1	3'-0"	7'-0"	RH	H1	16	16	16	16	16	16	16	16	16	16	16	16	
110	SECTION B	F	SECTION B	1	3'-0"	7'-0"	RH	H1	16	16	16	16	16	16	16	16	16	16	16	16	
111	EXTERIOR	F	SECTION B	1	3'-0"	7'-0"	RH	H1	16	16	16	16	16	16	16	16	16	16	16	16	
112	SECTION B	F	SECTION B	1	3'-0"	7'-0"	RH	H1	16	16	16	16	16	16	16	16	16	16	16	16	
113	EXTERIOR	F	SECTION C	1	3'-0"	7'-0"	RH	H1	16	16	16	16	16	16	16	16	16	16	16	16	
201	EXTERIOR	F	SECTION A	1	3'-0"	7'-0"	RH	H1	16	16	16	16	16	16	16	16	16	16	16	16	
202	SECTION B	F	SECTION A	1	3'-0"	7'-0"	RH	H1	16	16	16	16	16	16	16	16	16	16	16	16	
203	EXTERIOR	F	SECTION B	1	3'-0"	7'-0"	RH	H1	16	16	16	16	16	16	16	16	16	16	16	16	
204	SECTION B	F	SECTION B	1	3'-0"	7'-0"	RH	H1	16	16	16	16	16	16	16	16	16	16	16	16	
205	EXTERIOR	F	SECTION B	1	3'-0"	7'-0"	RH	H1	16	16	16	16	16	16	16	16	16	16	16	16	
206	SECTION B	F	SECTION B	1	3'-0"	7'-0"	RH	H1	16	16	16	16	16	16	16	16	16	16	16	16	
207	EXTERIOR	F	BURN ROOM #2	1	3'-0"	7'-0"	RH	H1	16	16	16	16	16	16	16	16	16	16	16	16	
208	SECTION B	F	BURN ROOM #2	1	3'-0"	7'-0"	RH	H1	16	16	16	16	16	16	16	16	16	16	16	16	
209	EXTERIOR	F	STAIRS	1	3'-0"	7'-0"	RH	H1	16	16	16	16	16	16	16	16	16	16	16	16	
301	EXTERIOR	F	SECTION A	1	3'-0"	7'-0"	RH	H1	16	16	16	16	16	16	16	16	16	16	16	16	

GENERAL ALARM - FIVE STORY FIRE TRAINING SIMULATOR

FIRE DEPARTMENT TRAINING SIMULATOR

wjh trainingtowers.com
A DIV. OF J.S.C. INC.
9121 BOND OVERLAND PARK, KS 66214
TEL. 913-385-3663 FAX: 913-385-7078
TOLL FREE 1-800-351-2525 www.trainingtowers.com

PROJECT NUMBER: 00-W-000 REVISION DATES

PROJECT RECTOR:	1
DRAWN BY:	JPK 2
REVIEWED BY:	JPK 3
PRINT DATE:	00-00-00 4

WINDOW CLOSURE DETAIL, DOOR DETAIL, SCHEDULE, AND RAPPELLING ANCHOR DETAIL