

GENERAL NOTES

- THIS INFORMATION CONFORMS TO ALL APPLICABLE STANDARDS FOR FIRE TRAINING SIMULATORS AT THE TIME OF PREPARATION.
- THE ERECTION CONTRACTOR ASSUMES RESPONSIBILITY FOR ALL MATERIALS, AT THE TIME OF DELIVERY. THIS CONTRACTOR IS ALSO RESPONSIBLE TO ACCOUNT FOR ALL MATERIAL, AT TIME OF DELIVERY. IF THERE IS A DISCREPANCY IN THE MATERIAL DELIVERED, CONTACT WHP TRAININGTOWERS IMMEDIATELY IN ORDER TO MAKE PROPER ARRANGEMENTS TO PROVIDE THE NECESSARY MATERIAL.
- THIS SET OF DRAWINGS IS INTENDED AS A CONCEPTUAL SET, PROVIDED FOR SECONDARY REFERENCE ONLY. REFER TO BEHLEN INDUSTRIES CONSTRUCTION DRAWINGS AND THE MISCELLANEOUS METALS DRAWINGS AS PRIMARY REFERENCE FOR EXACT MATERIAL DIMENSIONS, ERECTION, AND PROCEDURES.
- THESE DRAWINGS, SPECIFICATIONS, IDEAS, DESIGNS, AND ARRANGEMENTS ARE AND SHALL REMAIN THE PROPERTY OF WHP TRAININGTOWERS AND NO PART THERE OF SHALL BE COPIED, REPRODUCED, OR USED IN CONNECTION WITH ANY WORK OR PROJECT OTHER THAN THE SPECIFIC PROJECT FOR WHICH THEY HAVE BEEN PREPARED WITHOUT WRITTEN CONSENT FROM WHP TRAININGTOWERS.
- WRITTEN DIMENSIONS ON THESE DRAWINGS SHALL TAKE PRECEDENCE OVER SCALED DIMENSIONS. INSTALLING CONTRACTORS OR OWNERS SHALL VERIFY AND BE RESPONSIBLE FOR ALL DIMENSIONS AND CONDITIONS ON THE JOB AND WHP TRAININGTOWERS SHALL BE NOTIFIED IMMEDIATELY OF ANY VARIATIONS OR DISCREPANCIES FROM THE DIMENSIONS AND CONDITIONS SHOWN BY THESE DRAWINGS. ANY FIELD CHANGES OR MODIFICATIONS TO EITHER THE STRUCTURE OR ADDITIVE COMPONENTS MUST BE REPORTED AND APPROVED BY WHP TRAININGTOWERS PRIOR TO PERFORMING ANY WORK.
- MISCELLANEOUS FIELD CUTTING AND FITTING OF BOTH STRUCTURAL AS WELL AS LIGHT GAUGE FRAMING COMPONENTS WILL BE NECESSARY TO BE ABLE TO PERFORM THE INSTALLATION PROCEDURES. THIS WILL BE CONSIDERED STANDARD CONDITION AND REQUIREMENT FOR ERECTION OF THIS LIVE FIRE TRAINING SIMULATOR AND ITS COMPONENTS.
- DOORS SHALL BE PAINTED 18 GA HOT-DIPPED GALVANIZED HOLLOW METAL SLABS WITH CONTINUOUSLY WELDED SEAMS. DOOR FRAMES SHALL BE 1" PAINTED 16 GA HOT-DIPPED GALVANIZED FRAMES. EACH EXTERIOR NON-BURN ROOM DOOR SHALL BE PROVIDED WITH (1) HEAVY-DUTY STAINLESS STEEL BALL BEARING HINGES, (1) COMMERCIAL GRADE KEYS LOCKSET, AND (2) DOOR MUTES. EACH INTERIOR NON-BURN ROOM DOOR SHALL BE PROVIDED WITH (3) HEAVY-DUTY STAINLESS STEEL BALL BEARING HINGES, (1) COMMERCIAL GRADE PASSAGE SET, AND (2) DOOR MUTES. EACH BURN ROOM DOOR SHALL BE PROVIDED WITH (3) HEAVY-DUTY STAINLESS STEEL BALL BEARING HINGES, (2) SPRING-TYPE CLOSING DEVICES, (1) DOOR PULL, (1) ADJUSTABLE BALL CATCH, AND (1) 8" LOCKABLE BARREL BOLT FOR USE IN SECURING THE BUILDING WHEN NOT IN USE. ANY DOUBLE DOORS SHALL BE PROVIDED WITH ONE OF THE ABOVE HARDWARE SETS AND SHALL INCLUDE (3) "PADGENT" MOUNTING CHANNELS WELDED ON THE INTERIOR SIDE OF THE CLOSURE. ALL CLOSURES SHALL BE INSTALLED WITH EQUAL SPACING BETWEEN THE FRAMED OPENING AND THE CLOSURE PAN. ALL SILL ELEVATIONS SHALL BE 42" ABOVE FINISHED FLOOR ELEVATION.
- WINDOW CLOSURES SHALL BE PAINTED 12 GA HOT-DIPPED GALVANIZED SINGLE LEAVES WITH A DEEP PAN FRAME DESIGN. EACH NON-BURN ROOM CLOSURE ACCESSIBLE FROM THE GROUND SHALL BE PROVIDED WITH (1) STAINLESS STEEL CONTINUOUS HINGE, (1) SLAM LATCH, (1) KEYS LEVER ON THE EXTERIOR SIDE OF THE CLOSURE, AND (1) PASSAGE LEVER ON THE INTERIOR SIDE OF THE CLOSURE. EACH NON-BURN ROOM CLOSURE NOT ACCESSIBLE FROM THE GROUND SHALL BE PROVIDED WITH (1) STAINLESS STEEL CONTINUOUS HINGE, (1) SLAM LATCH, (1) PASSAGE LEVER ON THE EXTERIOR SIDE OF THE CLOSURE, AND (1) PASSAGE LEVER ON THE INTERIOR SIDE OF THE CLOSURE. EACH BURN ROOM CLOSURE SHALL BE PROVIDED WITH ONE OF THE ABOVE HARDWARE SETS AND SHALL INCLUDE (3) "PADGENT" MOUNTING CHANNELS WELDED ON THE INTERIOR SIDE OF THE CLOSURE. ALL CLOSURES SHALL BE INSTALLED WITH EQUAL SPACING BETWEEN THE FRAMED OPENING AND THE CLOSURE PAN. ALL SILL ELEVATIONS SHALL BE 42" ABOVE FINISHED FLOOR ELEVATION.
- FLOOR DECKS ABOVE GRADE SHALL BE CONCRETE OVER GALVANIZED 1.5" "C" DECK FASTENED DIRECTLY TO FLOOR JOISTS USING SELF-DRILLING/SELF-THREADING TEK SCREW FASTENERS AT 6" O.C. INCREMENTS. ALL FLOOR DECKS SHALL REQUIRE FIELD CUTTING AND FITTING AS REQUIRED TO ACCOMMODATE THE BUILDING CONFIGURATION. CONCRETE FILL SHALL BE 4" IN DEPTH. CONCRETE SHALL BE A SMALL AGGREGATE CONCRETE WITH FIBER MESH REINFORCING. CONCRETE SHALL BE PITCHED TO EXTERIOR WALLS AND DOOR OPENINGS. FINISH SHALL BE A LIGHT BROOM FINISH. (CONCRETE FILL BY OTHERS)
- ALL CORRUGATED ROOF AND WALL PANELS ARE TO BE PREFINISHED IN ONE OF 13 STANDARD COLORS. COMPOUND CORRUGATED WALL PANELS ARE 3'-5" WIDE AND 4 1/2" DEEP. COMPOUND CORRUGATED ROOF PANELS ARE TO BE 3'-5" WIDE AND 7 1/2" DEEP. ALL WALL AND ROOF PANELS ARE TO BE BOLTED AT 6" O.C. INCREMENTS UTILIZING 3/8" DIAMETER BOLT FASTENERS PROVIDED IN A COLOR TO MATCH THE WALL OR ROOF PANEL COLOR.
- ALL INTERIOR WALL PARTITIONS SHALL BE CONSTRUCTED OF 4 1/2" X 18 GA GALVANIZED METAL STUDS AT 24" O.C. AND 4 1/2" X 18 GA GALVANIZED METAL TRACK. ALL SIDES OF INTERIOR PARTITIONS NOT RECEIVING BURN ROOM PANELS SHALL RECEIVE 18 GA GALVANIZED SHEETING FASTENED WITH #8 X 3/8" LOW PROFILE TEK SCREWS AT 12" O.C.

HIGH RISE - SIX STORY FIRE TRAINING SIMULATOR

FIRE DEPARTMENT TRAINING SIMULATOR

THIS INFORMATION CONFORMS TO ALL APPLICABLE STANDARDS FOR THE TRAINING SIMULATORS AT THE TIME OF PREPARATION.

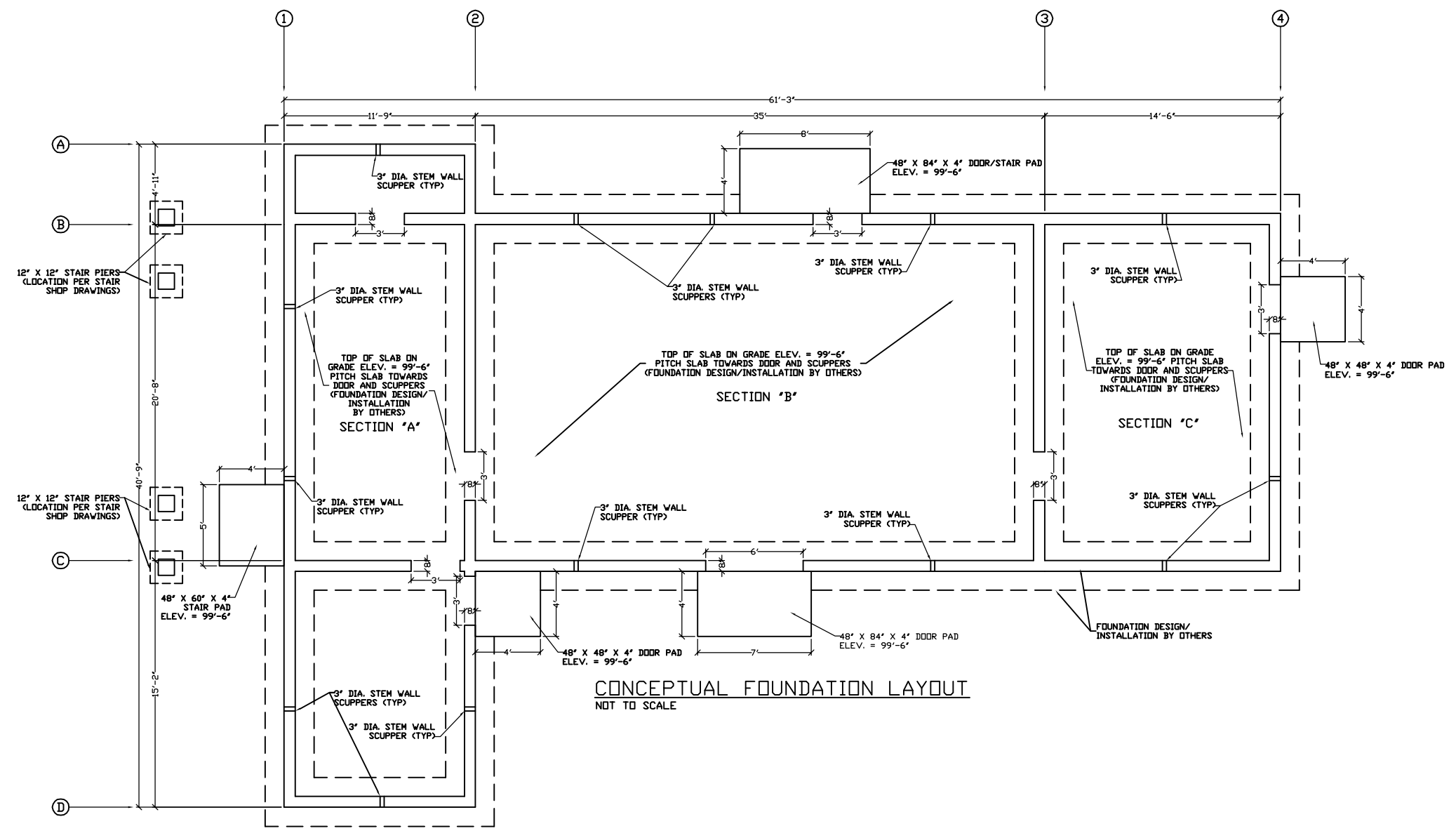
THE ERECTION CONTRACTOR ASSUMES RESPONSIBILITY FOR ALL MATERIALS, AT TIME OF DELIVERY. THIS CONTRACTOR IS ALSO RESPONSIBLE TO ACCOUNT FOR ALL MATERIAL, AT TIME OF DELIVERY. IF THERE IS A DISCREPANCY IN THE MATERIAL DELIVERED, CONTACT WHP TRAININGTOWERS IMMEDIATELY IN ORDER TO MAKE PROPER ARRANGEMENTS TO PROVIDE THE NECESSARY MATERIAL.

THIS SET OF DRAWINGS IS INTENDED AS A CONCEPTUAL SET, PROVIDED FOR SECONDARY REFERENCE ONLY. REFER TO BEHLEN INDUSTRIES CONSTRUCTION DRAWINGS AND THE MISCELLANEOUS METALS DRAWINGS AS PRIMARY REFERENCE FOR EXACT MATERIAL DIMENSIONS, ERECTION, AND PROCEDURES.

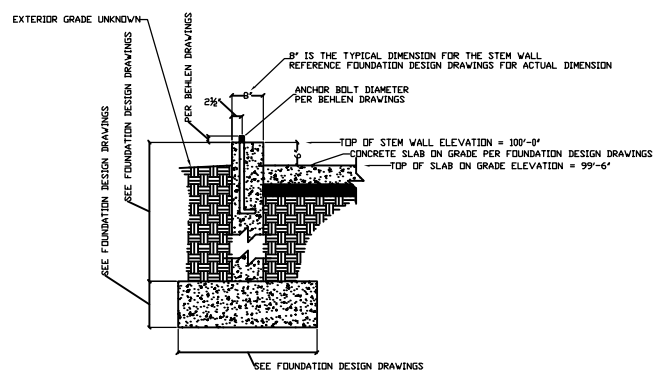
THESE DRAWINGS, SPECIFICATIONS, IDEAS, DESIGNS, AND ARRANGEMENTS ARE AND SHALL REMAIN THE PROPERTY OF WHP TRAININGTOWERS AND NO PART THERE OF SHALL BE COPIED, REPRODUCED, OR USED IN CONNECTION WITH ANY WORK OR PROJECT OTHER THAN THE SPECIFIC PROJECT FOR WHICH THEY HAVE BEEN PREPARED WITHOUT WRITTEN CONSENT OF WHP TRAININGTOWERS.

| PROJECT NUMBER: | 00-W-000 | REVISION DATES: | 1 | 2 | 3 | 4 |
|-----------------|----------|-----------------|---|---|---|---|
| DRAWN BY: | JPK | DATE: | | | | |
| REVISED BY: | JP | DATE: | | | | |
| PRINT DATE: | 00-00-00 | | | | | |

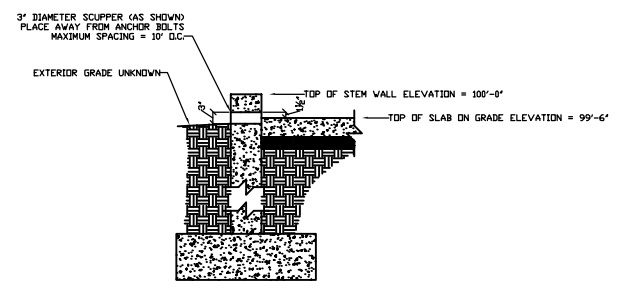
FOUNDATION PLAN



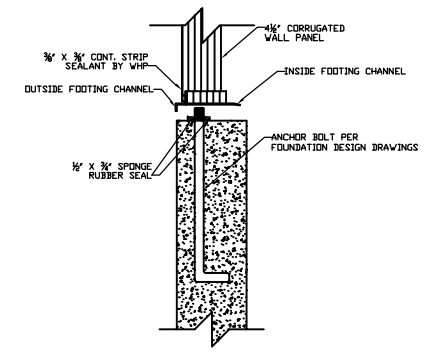
CONCEPTUAL FOUNDATION LAYOUT
NOT TO SCALE



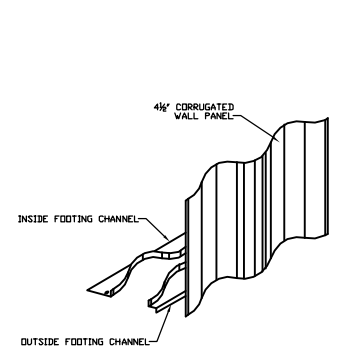
ANCHOR BOLT DETAIL (TYP.)
NOT TO SCALE



WALL SCUPPER DETAIL (TYP.)
NOT TO SCALE



FOUNDATION CHANNEL DETAIL (TYP.)
NOT TO SCALE

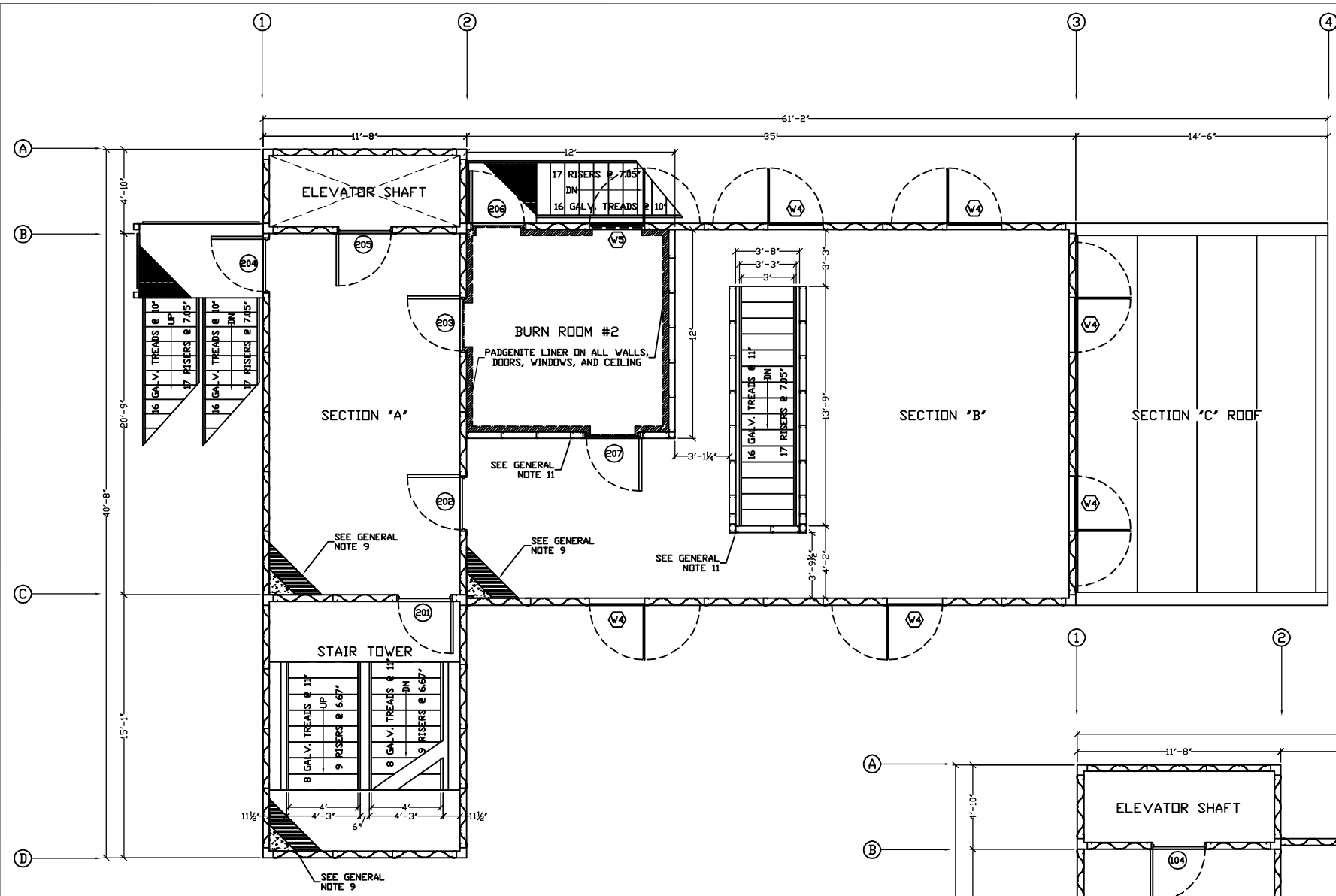


WALL PANEL DETAIL (TYP.)
NOT TO SCALE

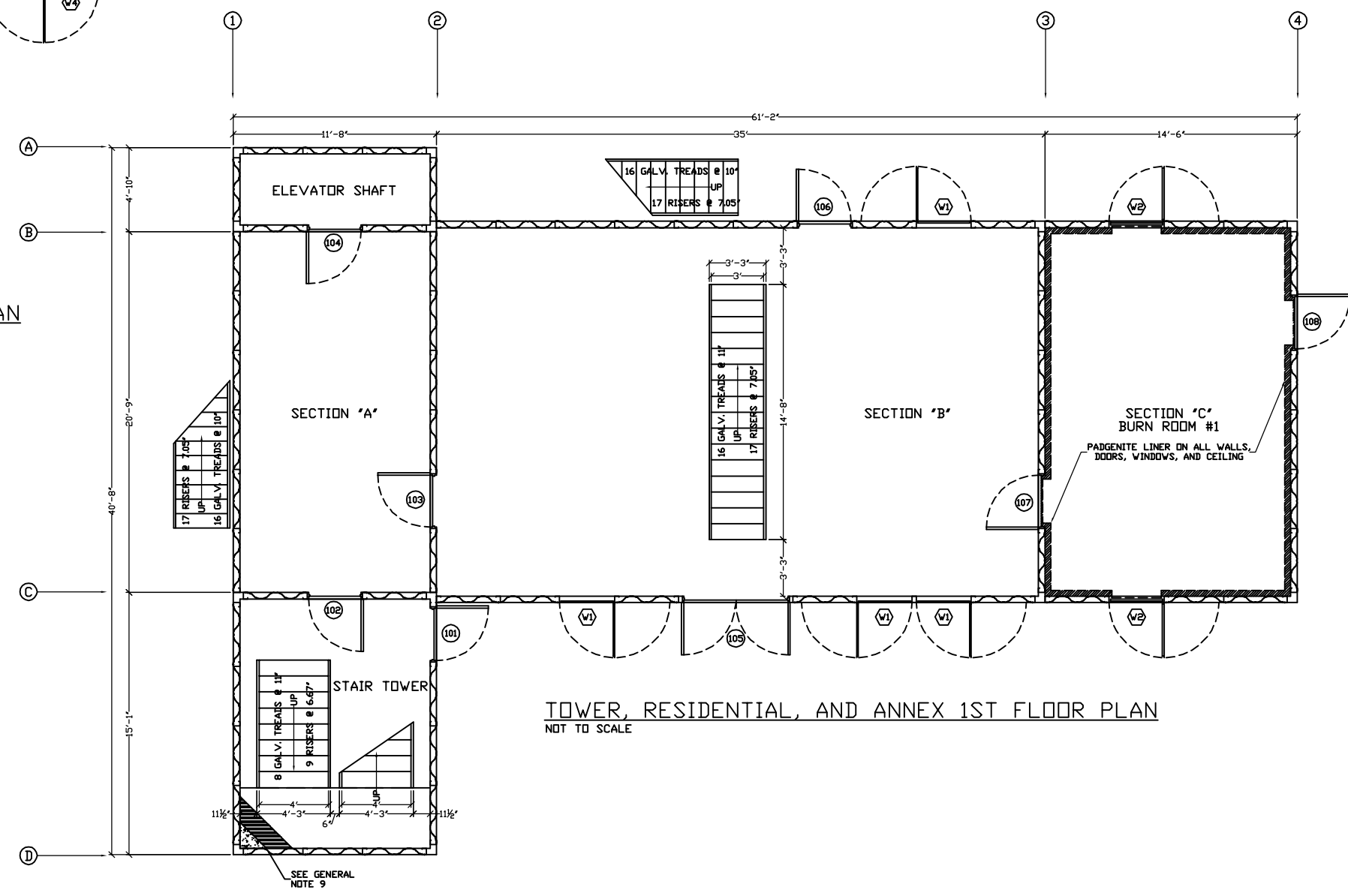
DESIGN LOADS

| | |
|---------------|------------|
| ROOF LOAD | -- 100 PSF |
| FLOOR LOAD | -- 100 PSF |
| ATTIC LOAD | -- 100 PSF |
| WIND LOAD | -- MPH |
| WIND EXPOSURE | -- |

ERECTION NOTE - STAGGER CHANNEL AS SHOWN
NOT TO SCALE



TOWER AND RESIDENTIAL 2ND FLOOR PLAN AND ANNEX ROOF PLAN
NOT TO SCALE



TOWER, RESIDENTIAL, AND ANNEX 1ST FLOOR PLAN
NOT TO SCALE

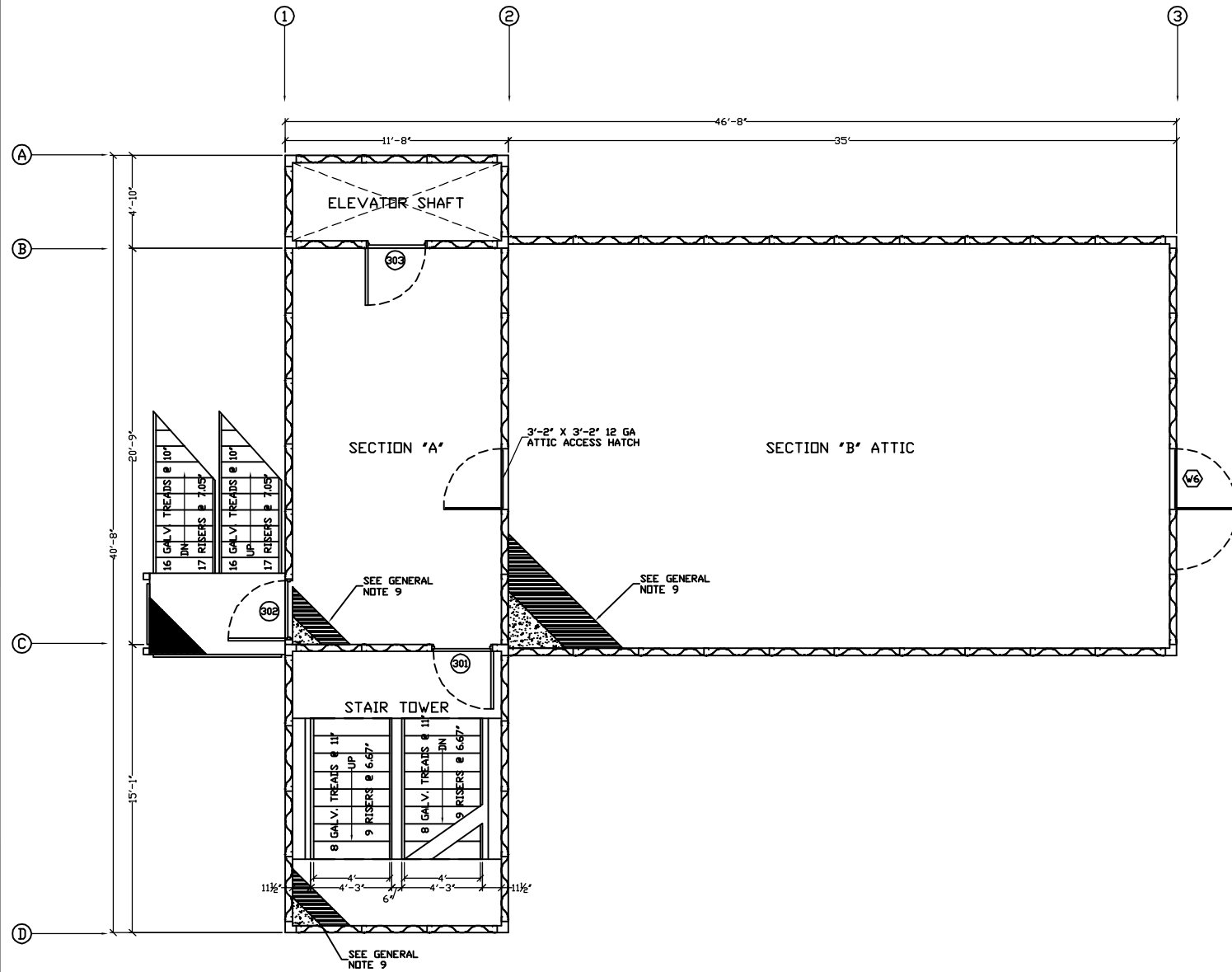
trainingtowers.com
A DIV. OF J.S.C. INC.
9121 BOND OVERLAND PARK, KS 66214
TEL 913-365-3663 FAX: 913-365-7078
TOLL FREE 1-800-351-2525 www.trainingtowers.com

**HIGH RISE - SIX STORY
FIRE TRAINING SIMULATOR**
FIRE DEPARTMENT TRAINING SIMULATOR

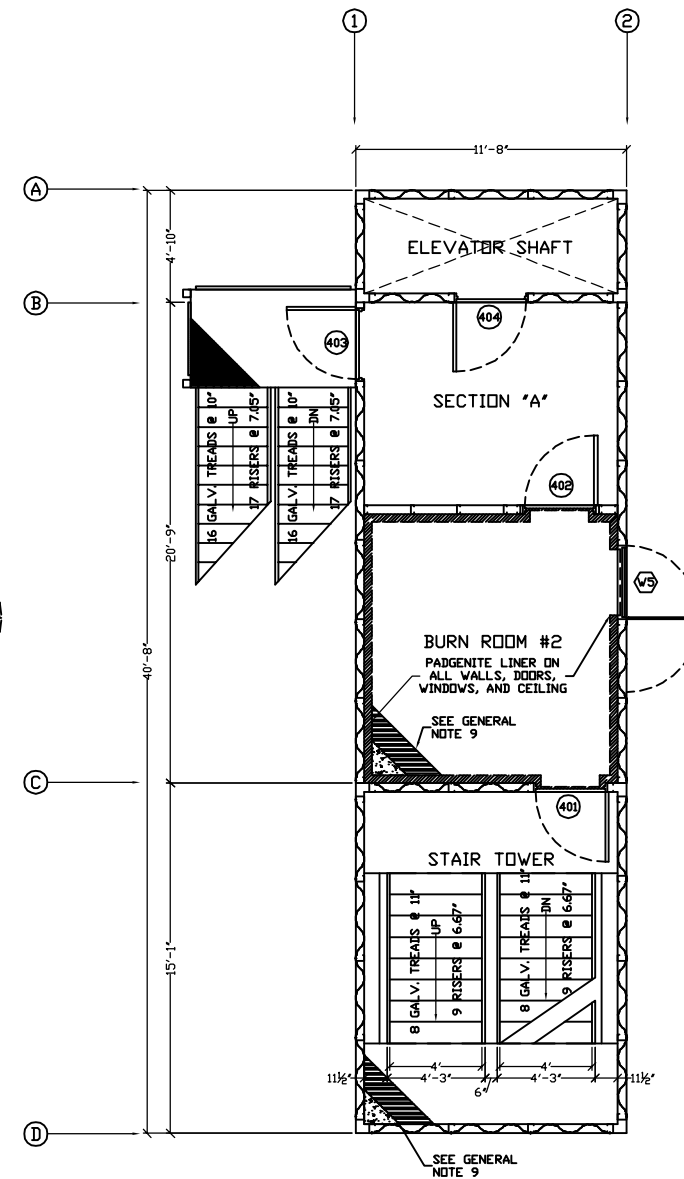
THIS INFORMATION CONFORMS TO ALL APPLICABLE STANDARDS FOR THE TRAINING SIMULATORS AT THE TIME OF REVISION.
THE DESIGN CONTRACTOR ASSUMES RESPONSIBILITY FOR ALL MATERIALS, AT THE TIME OF DELIVERY. THIS CONTRACTOR IS ALSO RESPONSIBLE TO ACCOUNT FOR ALL MATERIALS, AT THE TIME OF DELIVERY. IF THERE IS A DISCREPANCY IN THE MATERIALS, CONTACT THE MANUFACTURERS IMMEDIATELY IN ORDER TO MAKE PROPER ARRANGEMENTS TO RECEIVE THE CORRECT MATERIAL.
THIS SET OF DRAWINGS IS INTENDED AS A CONCEPTUAL SET, PROVIDED FOR SECONDARY REFERENCE ONLY. REFER TO OWNER INDUSTRIES CONSTRUCTION DRAWINGS AND THE MANUFACTURER'S TECHNICAL DRAWINGS AS PRIMARY REFERENCE FOR EXACT MATERIAL DIMENSIONS, DECORAL AND PROCEDURES.
THESE DIMENSIONS, SPECIFICATIONS, MATERIALS, AND FINISHES ARE AND SHALL REMAIN THE PROPERTY OF IMP TRAINING TOWERS AND NO PART THEREOF SHALL BE COPIED, REPRODUCED, OR USED IN CONNECTION WITH ANY OTHER PROJECT WITHOUT THE SPECIFIC WRITTEN CONSENT OF IMP TRAINING TOWERS.

| PROJECT NUMBER: | 00-W-000 | REVISION DATES: |
|-----------------|----------|-----------------|
| DRAWN BY: | PK 2 | |
| REVIEWED BY: | PK 3 | |
| PRINT DATE: | 00-00-00 | |

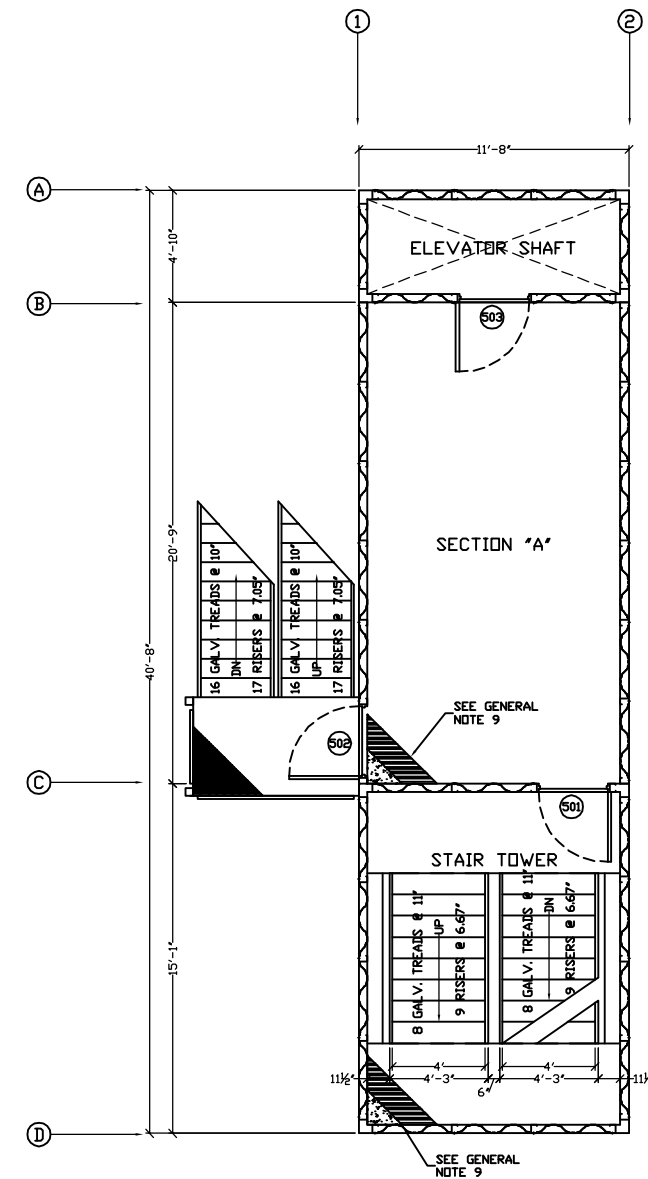
FIRST FLOOR AND
SECOND FLOOR PLANS



TOWER 3RD FLOOR PLAN AND RESIDENTIAL ATTIC PLAN
NOT TO SCALE



TOWER 4TH FLOOR PLAN
NOT TO SCALE



TOWER 5TH FLOOR PLAN
NOT TO SCALE

THIS INFORMATION CONFORMS TO ALL APPLICABLE STANDARDS FOR THE TRAINING SIMULATORS AT THE TIME OF REVISION.
THE DESIGN CONTRACTOR ASSUMES RESPONSIBILITY FOR ALL MATERIALS, AT THE OPTION OF THE CONTRACTOR, THIS CONTRACTOR IS ALSO RESPONSIBLE TO ACCOUNT FOR ALL MATERIALS, AT THE TIME OF REVISION. IF THERE IS A DISCREPANCY IN THE MATERIALS, REVISIONS, CONTACT THE MANUFACTURERS IMMEDIATELY IN ORDER TO MAKE PROPER ARRANGEMENTS TO PROVIDE THE NECESSARY MATERIAL.
THIS SET OF DRAWINGS IS INTENDED AS A CONCEPTUAL SET, PROVIDED FOR SECONDARY REFERENCE ONLY. REFER TO DESIGNER INDUSTRIES CONSTRUCTION DRAWINGS AND THE MANUFACTURER'S TECHNICAL DRAWINGS AS PRIMARY REFERENCE FOR EXACT MATERIAL DIMENSIONS, DECIMALS, AND PROCEDURES.
THESE DIMENSIONS, SPECIFICATIONS, HEAD, DESIGN, AND FINISHES ARE AND SHALL REMAIN THE PROPERTY OF WFP TRAINING TOWERS AND NO PART THEREOF SHALL BE COPIED, REPRODUCED, OR USED IN CONNECTION WITH ANY WORK OR PROJECT OTHER THAN THE SPECIFIC PROJECT FOR WHICH THEY HAVE BEEN PREPARED WITHOUT THE WRITTEN CONSENT OF WFP TRAINING TOWERS.

| PROJECT NUMBER: | 00-W-000 | REVISION DATES: |
|------------------|----------|-----------------|
| PROJECT ERECTOR: | JPK | 1 |
| DRAWN BY: | JP | 2 |
| REVIEWED BY: | | 3 |
| PRINT DATE: | 00-00-00 | 4 |

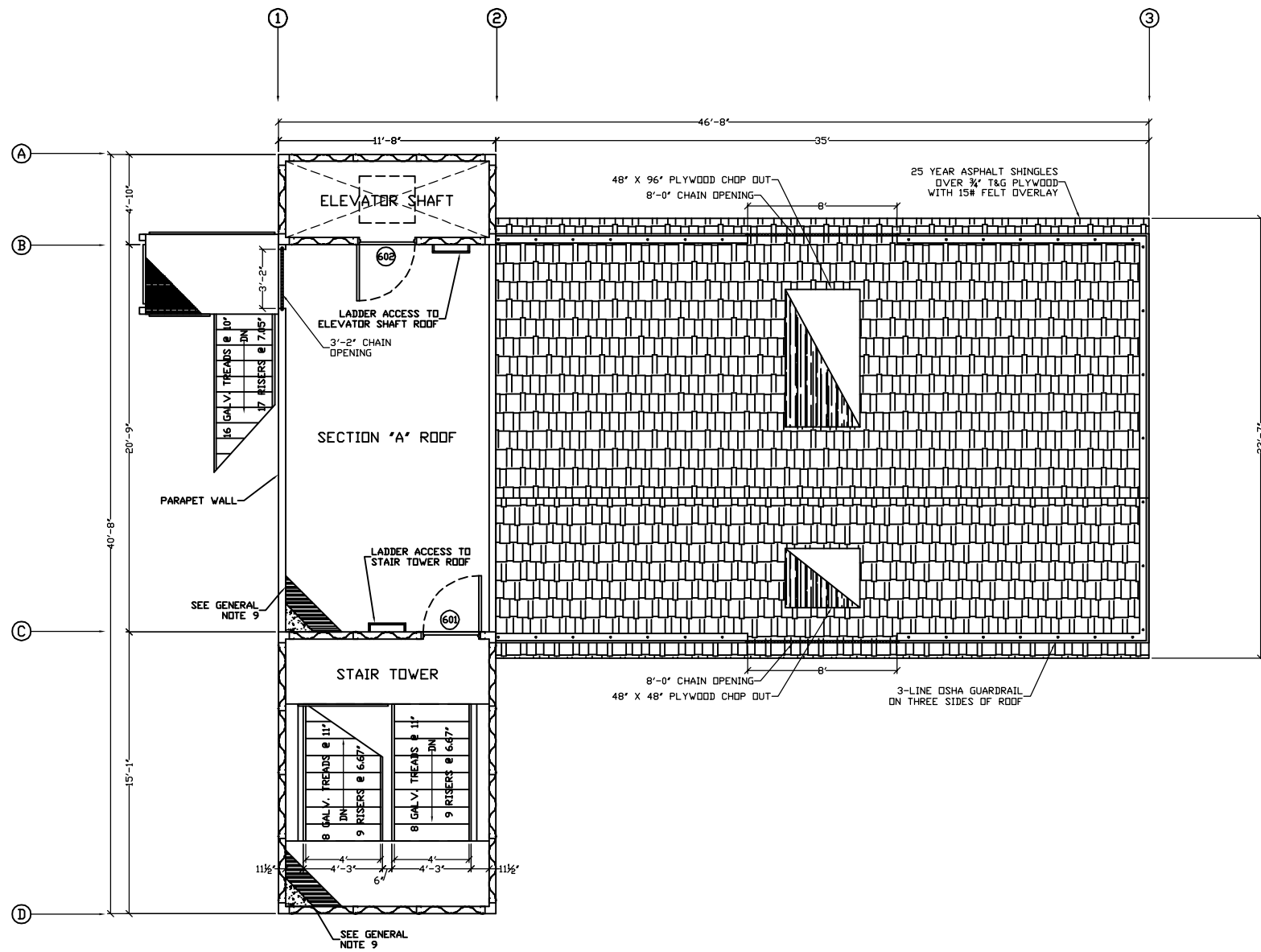
THIRD FLOOR,
FOURTH FLOOR, AND
FIFTH FLOOR PLANS

HIGH RISE - SIX STORY FIRE TRAINING SIMULATOR

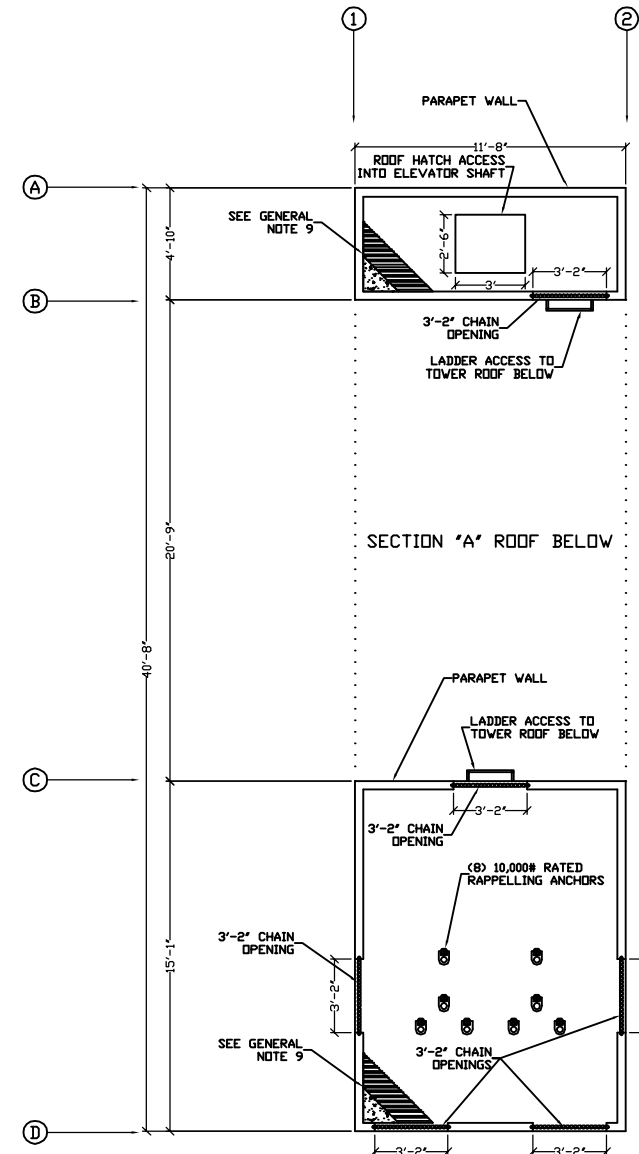
FIRE DEPARTMENT TRAINING SIMULATOR



A DIV. OF J.S.C. INC.
9121 BOND OVERLAND PARK, KS 66214
TEL 913-365-3663 FAX: 913-365-7078
TOLL FREE 1-800-351-2525 www.trainingtowers.com



TOWER AND RESIDENTIAL ROOF PLAN
 NOT TO SCALE



STAIR TOWER AND ELEVATOR SHAFT PLAN
 NOT TO SCALE

THIS INFORMATION CONFORMS TO ALL APPLICABLE STANDARDS FOR THE TRIVING SIMULATORS AT THE TIME OF REVISION.
 THE DESIGN CONTRACTOR ASSUMES RESPONSIBILITY FOR ALL MATERIALS, AT THE TIME OF DESIGN. THIS CONTRACTOR IS ALSO RESPONSIBLE TO ACCOUNT FOR ALL MATERIALS, AT THE TIME OF REVISION. IF THERE IS A DISCREPANCY IN THE MATERIAL REVISIONS, CONTACT THE MANUFACTURERS IMMEDIATELY IN ORDER TO MAKE PROPER ARRANGEMENTS TO PROVIDE THE NECESSARY MATERIAL.
 THIS SET OF DRAWINGS IS INTENDED AS A CONCEPTUAL SET, PROVIDED FOR SECONDARY REFERENCE ONLY. REFER TO DESIGN INDUSTRIES CONSTRUCTION DRAWINGS AND THE MANUFACTURER'S TECHNICAL DRAWINGS AS PRIMARY REFERENCE FOR EXACT MATERIAL DIMENSIONS, DECIMALS, AND PROCEDURES.
 THESE DIMENSIONS, SPECIFICATIONS, REVISIONS, AND ARRANGEMENTS ARE AND SHALL REMAIN THE PROPERTY OF WFP TRAINING TOWERS AND NO PART THEREOF SHALL BE COPIED, REPRODUCED, OR USED IN CONNECTION WITH ANY WORK OR PROJECT OTHER THAN THE SPECIFIC PROJECT FOR WHICH THEY HAVE BEEN PREPARED WITHOUT WRITTEN CONSENT OF WFP TRAINING TOWERS.

| PROJECT NUMBER: | 00-W-000 | REVISION DATES: |
|-------------------|----------|-----------------|
| PROJECT DIRECTOR: | JPK | 2 |
| DRAWN BY: | JP | 3 |
| REVIEWED BY: | | |
| PRINT DATE: | 00-00-00 | 4 |

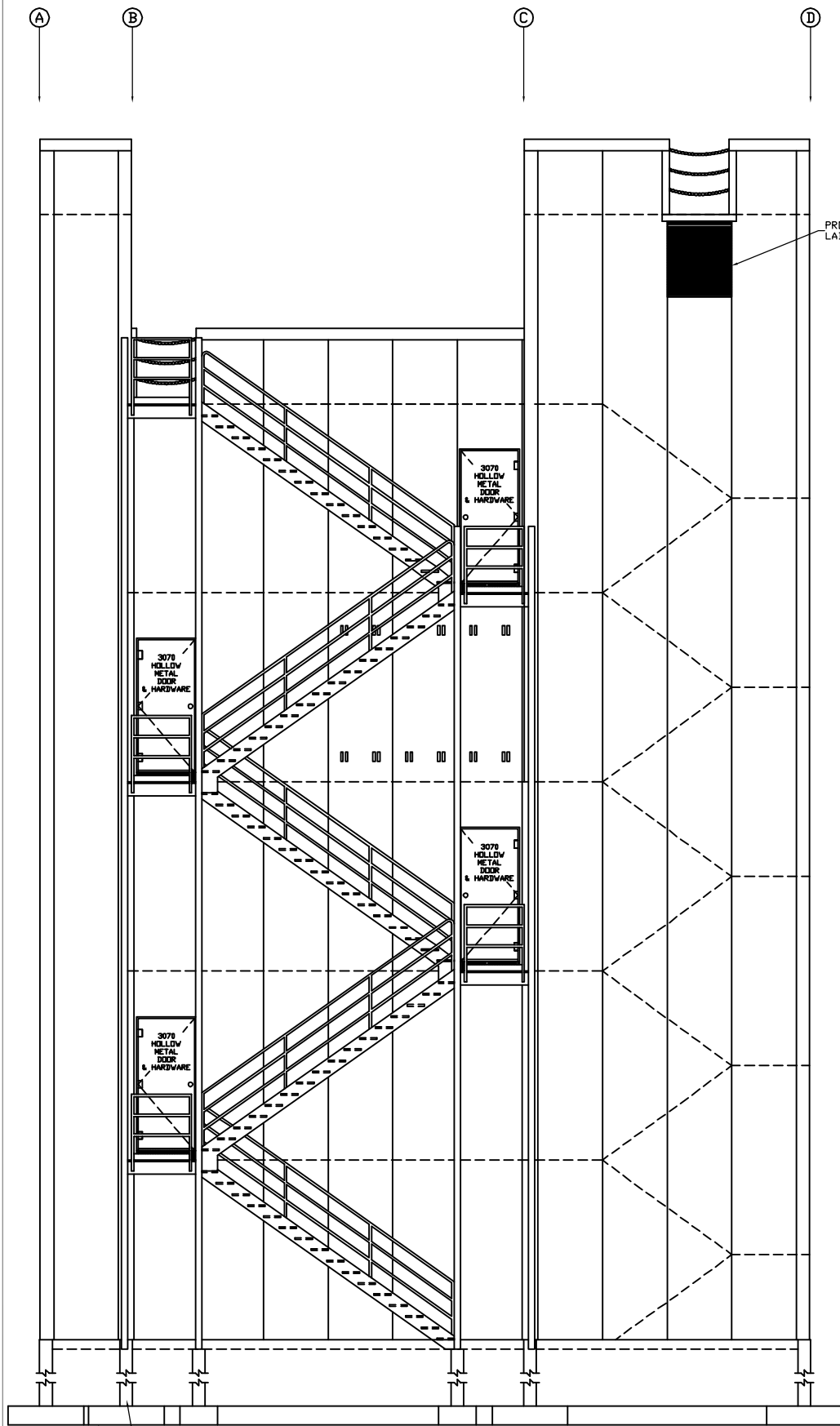
ROOF PLANS

**HIGH RISE - SIX STORY
 FIRE TRAINING SIMULATOR**

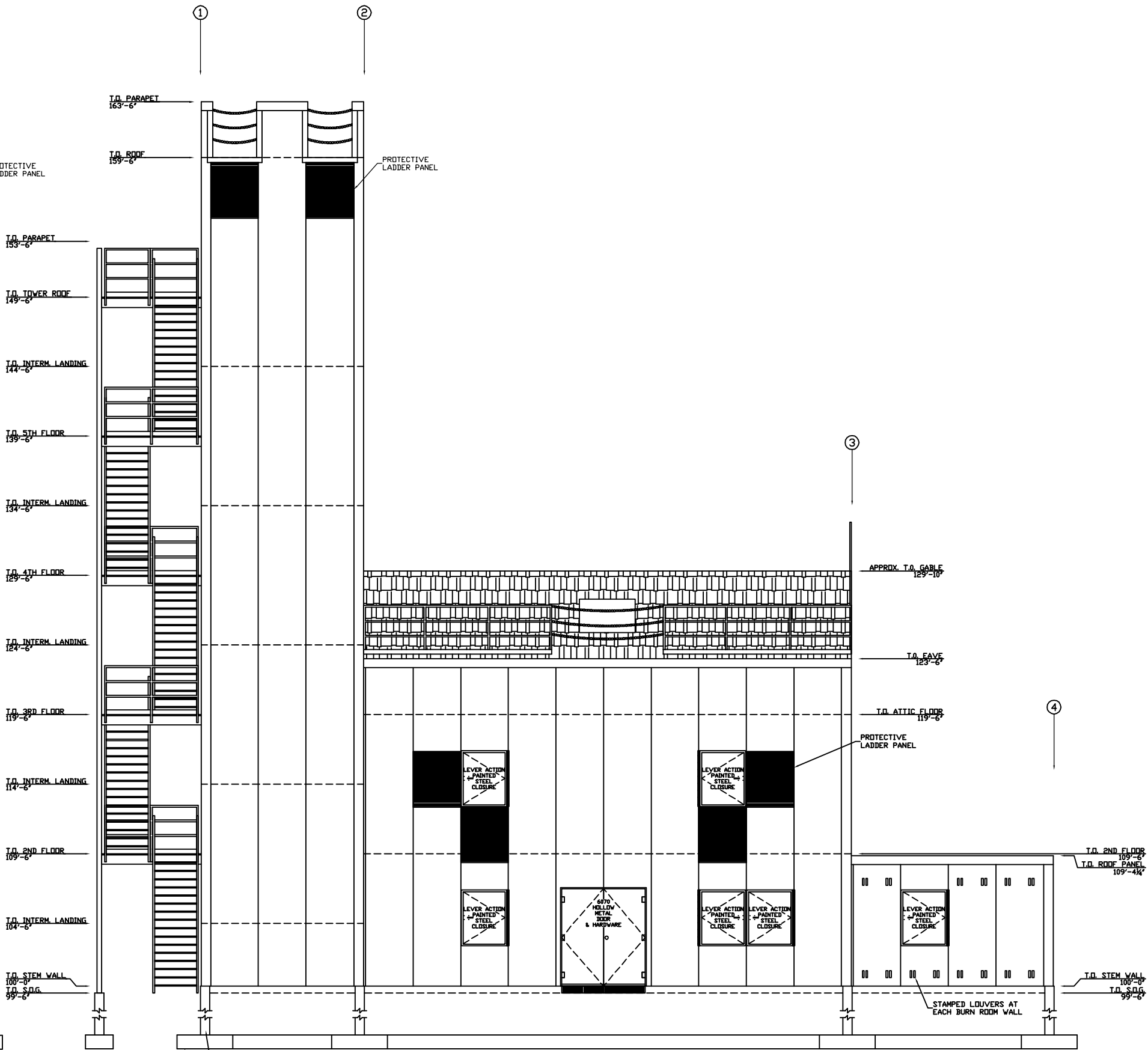
FIRE DEPARTMENT TRAINING SIMULATOR

www.trainingtowers.com

A DIV. OF J.S.C. INC
 9121 BOND OVERLAND PARK, KS 66214
 TEL 913-365-3663 FAX: 913-365-7078
 TOLL FREE 1-800-351-2525 www.trainingtowers.com



LEFT SIDE ELEVATION
NOT TO SCALE



FRONT SIDE ELEVATION
NOT TO SCALE

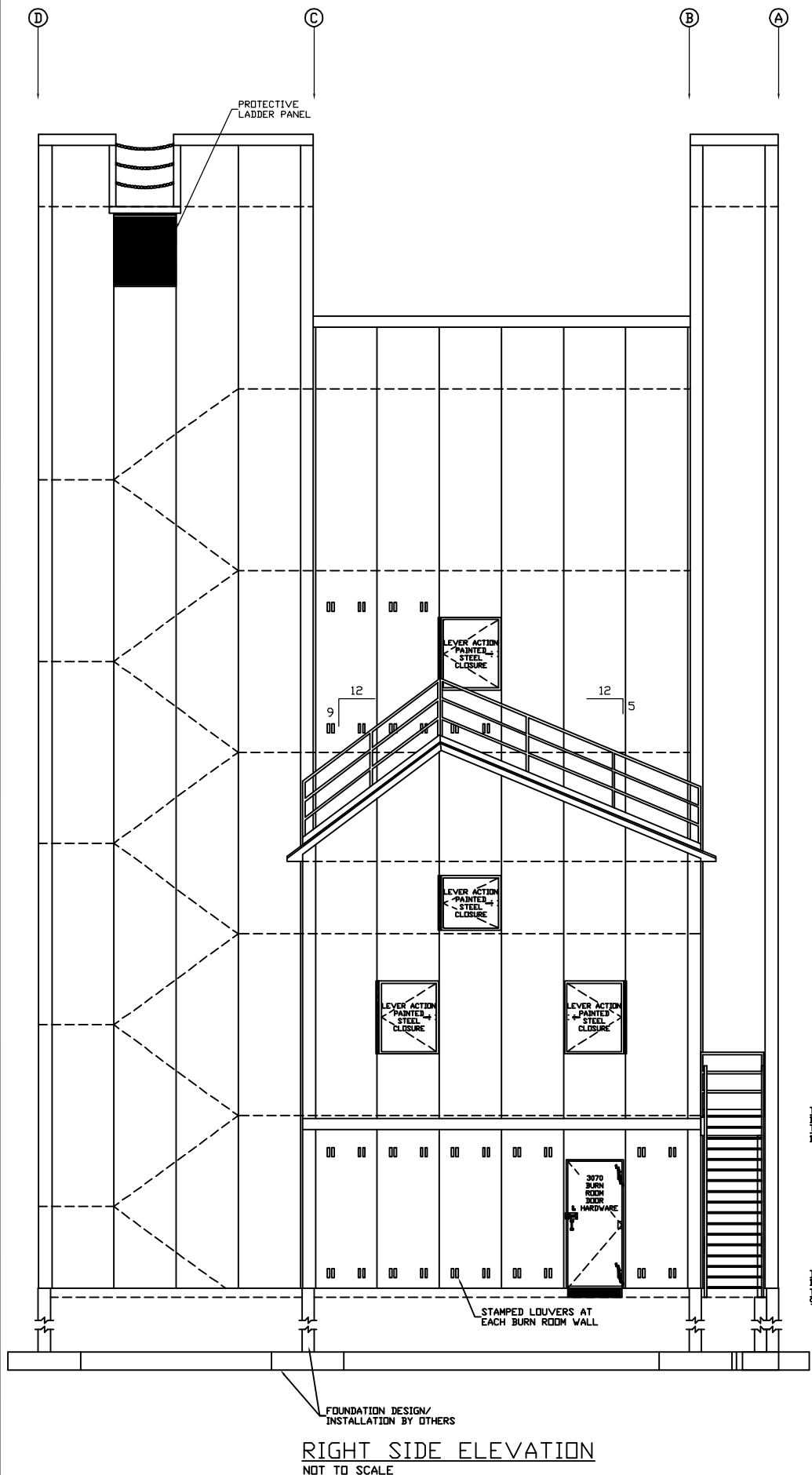
trainingtowers.com
A DIV. OF J.S.C. INC.
9121 BOND OVERLAND PARK, KS 66214
TEL 913-365-3663 FAX: 913-365-7078
TOLL FREE 1-800-351-2525 www.trainingtowers.com

**HIGH RISE - SIX STORY
FIRE TRAINING SIMULATOR**
FIRE DEPARTMENT TRAINING SIMULATOR

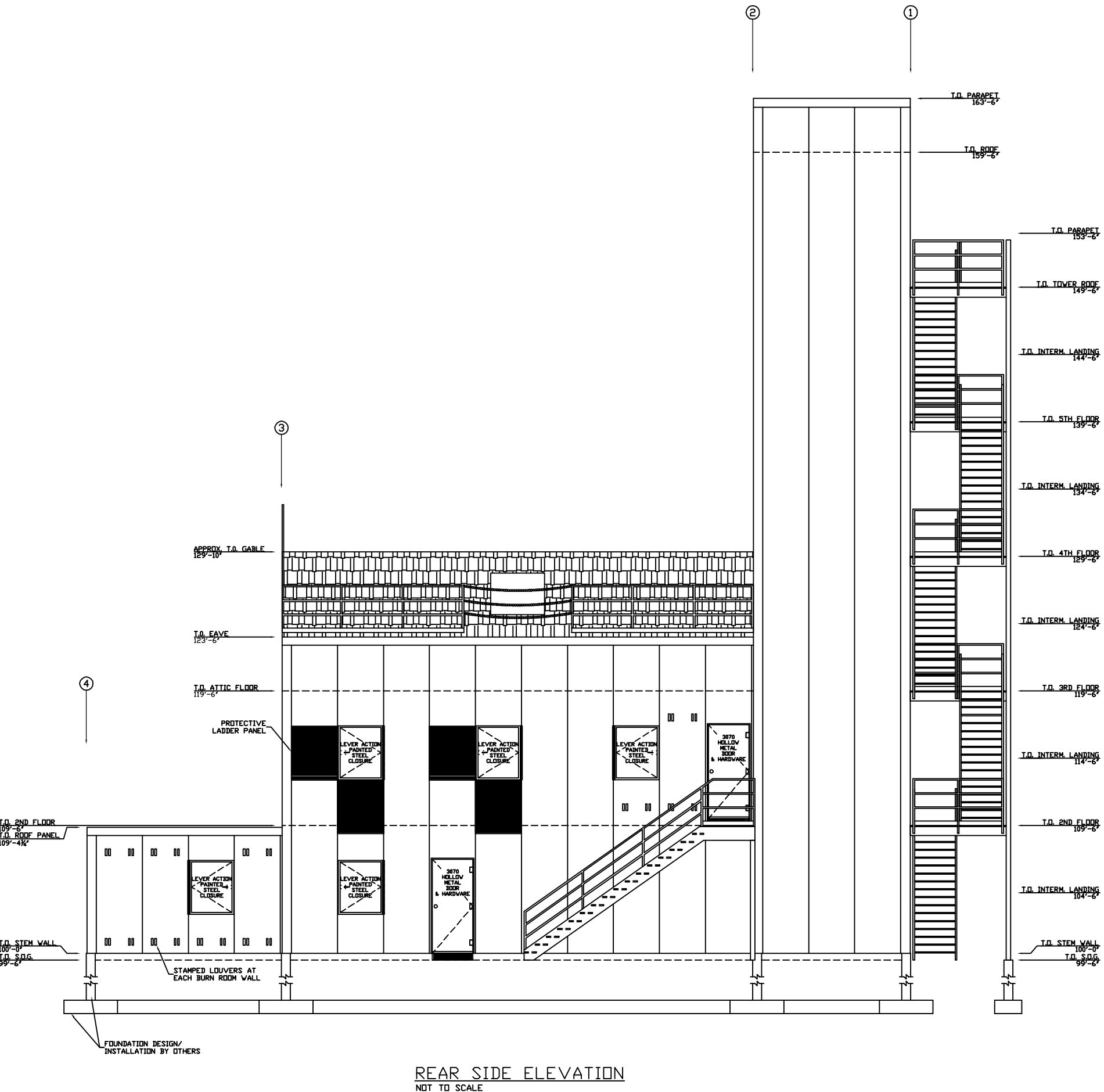
THIS INFORMATION CONFORMS TO ALL APPLICABLE STANDARDS FOR THE TRAINING SIMULATORS AT THE TIME OF REVISION.
THE DESIGN CONTRACTOR ASSUMES RESPONSIBILITY FOR ALL MATERIALS, AT THE TIME OF DELIVERY. THE CONTRACTOR IS ALSO RESPONSIBLE TO ACCOUNT FOR ALL MATERIALS, AT THE TIME OF DELIVERY. IF THERE IS A DISCREPANCY IN THE MATERIALS, CONTACT THE MANUFACTURER IMMEDIATELY IN ORDER TO MAKE NECESSARY ARRANGEMENTS TO PROVIDE THE NECESSARY MATERIAL.
THIS SET OF DRAWINGS IS INTENDED AS A CONCEPTUAL SET PROVIDED FOR SECONDARY REFERENCE ONLY. REFER TO BIDDING DOCUMENTS, CONSTRUCTION DRAWINGS AND THE MANUFACTURER'S TECHNICAL DRAWINGS AS PRIMARY REFERENCE FOR EXACT MATERIAL DIMENSIONS, DECORAL AND PROCEDURES.
THESE DIMENSIONS, SPECIFICATIONS, MATERIALS, AND FINISHES ARE AND SHALL REMAIN THE PROPERTY OF WFP TRAINING TOWERS AND NO PART THEREOF SHALL BE COPIED, REPRODUCED, OR USED IN CONNECTION WITH ANY WORK OR PROJECT OTHER THAN THE SPECIFIC PROJECT FOR WHICH THEY HAVE BEEN PREPARED WITHOUT THE WRITTEN CONSENT OF WFP TRAINING TOWERS.

| PROJECT NUMBER: | 00-W-000 | REVISION DATES: |
|-----------------|----------|-----------------|
| DRAWN BY: | JPK | 1 |
| REVIEWED BY: | JP | 2 |
| PRINT DATE: | 00-00-00 | 3 |
| | | 4 |

FRONT SIDE
AND LEFT SIDE
ELEVATIONS



RIGHT SIDE ELEVATION
NOT TO SCALE



REAR SIDE ELEVATION
NOT TO SCALE

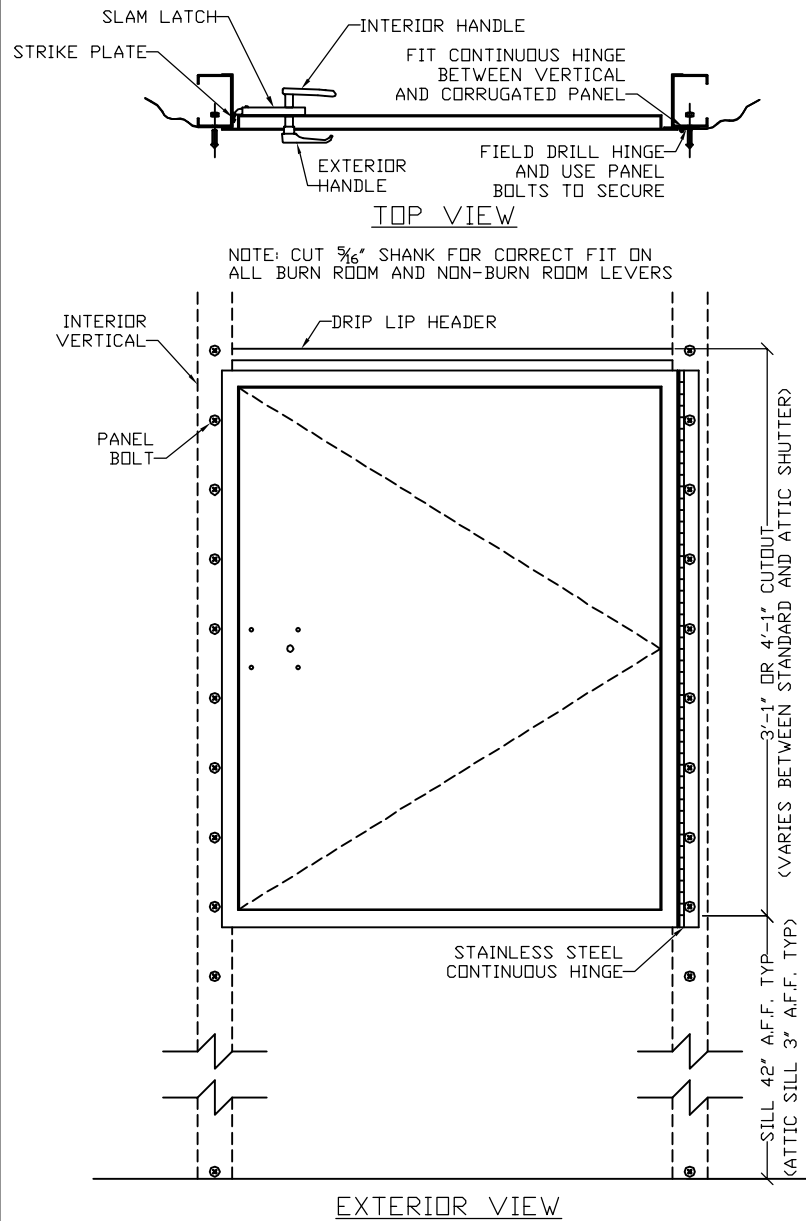
trainingtowers.com
w h p
A DIV. OF J.S.C. INC.
9121 BOND OVERLAND PARK, KS 66214
TEL 913-365-3663 FAX: 913-365-7078
TOLL FREE 1-800-351-2525 www.trainingtowers.com

**HIGH RISE - SIX STORY
FIRE TRAINING SIMULATOR**
FIRE DEPARTMENT TRAINING SIMULATOR

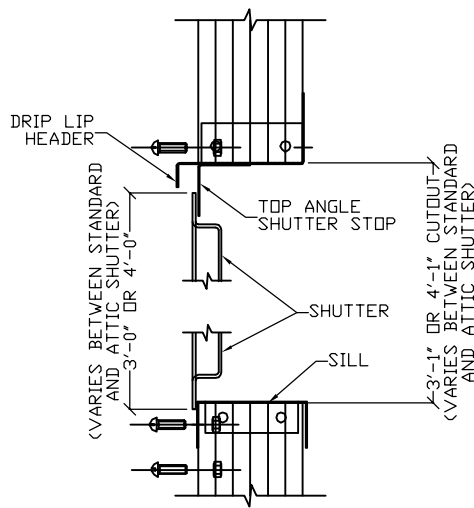
THIS INFORMATION CONFORMS TO ALL APPLICABLE STANDARDS FOR THE TRAINING SIMULATORS AT THE TIME OF REVISION.
THE DESIGN CONTRACTOR ASSUMES RESPONSIBILITY FOR ALL MATERIALS, AT THE TIME OF DESIGN. THIS CONTRACTOR IS ALSO RESPONSIBLE TO ACCOUNT FOR ALL MATERIALS, AT THE TIME OF REVISION. IF THERE IS A DISCREPANCY IN THE MATERIAL REVISIONS, CONTACT THE MANUFACTURERS IMMEDIATELY IN ORDER TO MAKE PROPER ARRANGEMENTS TO PROVIDE THE REQUIRED MATERIAL.
THIS SET OF DRAWINGS IS ISSUED AS A CONCEPTUAL SET, PROVIDED FOR SECONDARY REFERENCE ONLY. REFER TO BUILDER INDUSTRY CONSTRUCTION DRAWINGS AND THE BIDDING/RETIAL DRAWINGS AS PRIMARY REFERENCE FOR EXACT MATERIAL DIMENSIONS, DECIMALS, AND PROCEDURES.
THESE DIMENSIONS, SPECIFICATIONS, HEAD, DESIGN, AND FINISHES ARE AND SHALL REMAIN THE PROPERTY OF WHP TRAINING TOWERS AND NO PART THERE OF SHALL BE COPIED, REPRODUCED, OR USED IN CONNECTION WITH ANY WORK OR PROJECT OTHER THAN THE SPECIFIC PROJECT FOR WHICH THEY HAVE BEEN PREPARED WITHOUT WRITTEN CONSENT OF WHP TRAINING TOWERS.

| PROJECT NUMBER: | 00-W-000 | REVISION DATES: |
|-------------------|----------|-----------------|
| PROJECT REVISION: | PK 2 | 1 |
| DRAWN BY: | PK 3 | 2 |
| REVIEWED BY: | PK 3 | 3 |
| PRINT DATE: | 00-00-00 | 4 |

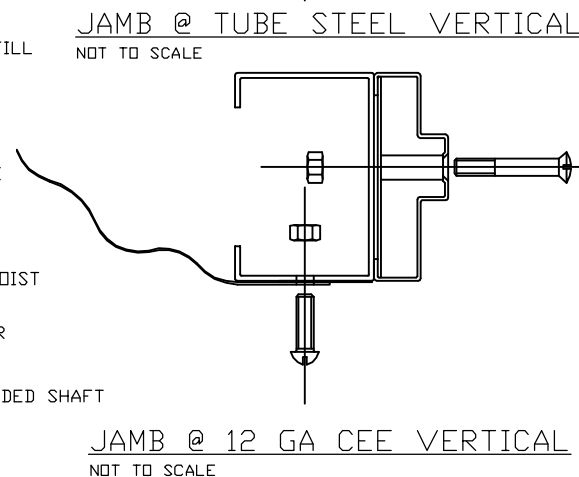
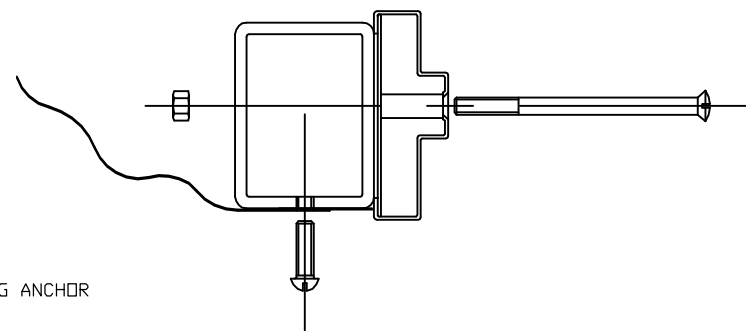
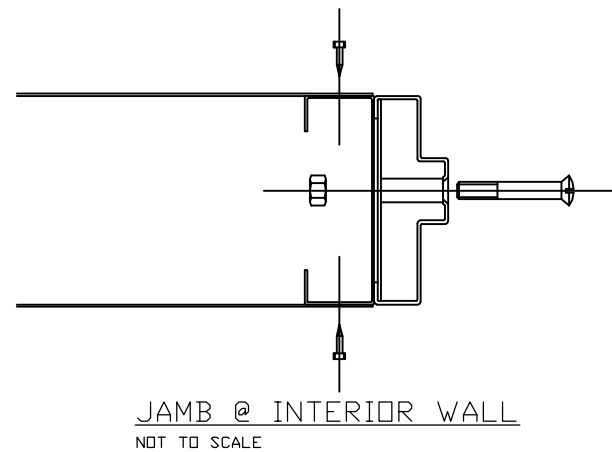
REAR SIDE
AND RIGHT SIDE
ELEVATIONS



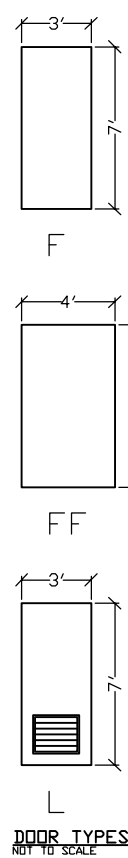
CLOSURE INSTALLATION DETAIL
NOT TO SCALE



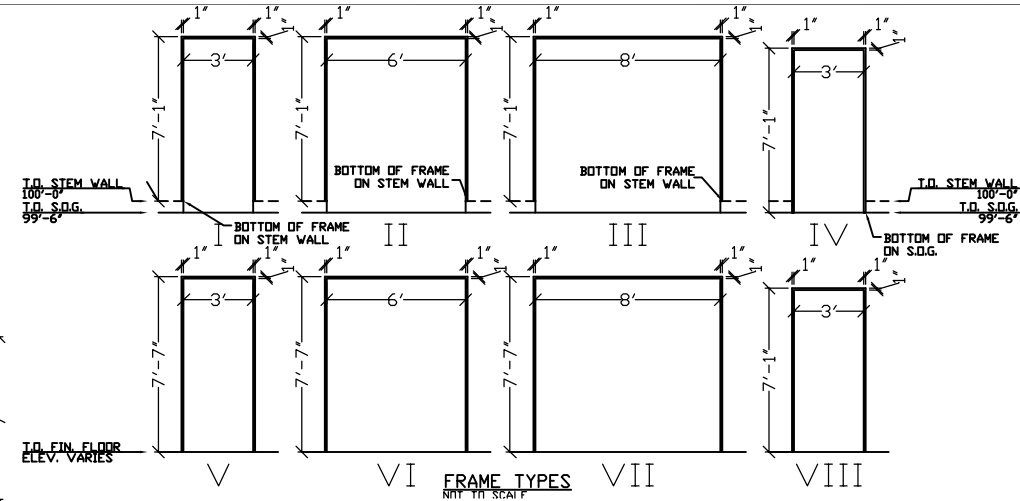
CLOSURE SECTION DETAIL
NOT TO SCALE



FRAME ANCHOR ISO
NOT TO SCALE



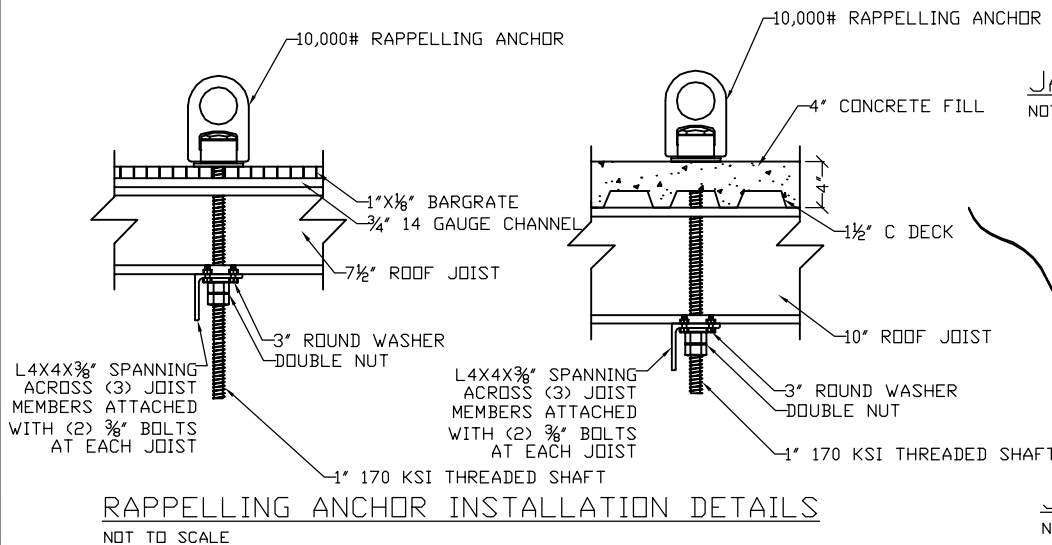
DOOR TYPES
NOT TO SCALE



| HARDWARE | HARDWARE SETS | | | | | | | | | | | |
|---------------------------|---------------|----|----|----|----|----|----|----|----|-----|-----|-----|
| | H1 | H2 | H3 | H4 | H5 | H6 | H7 | H8 | H9 | H10 | H11 | H12 |
| SS BUTT HINGE | 3 | 3 | 3 | 3 | 3 | 3 | 6 | 6 | | | | |
| SS CONTINUOUS HINGE | | | | | | | | | 1 | 1 | 1 | 1 |
| LOCKSET | 1 | | | | 1 | | 1 | | | | | |
| PASSAGE SET | | 1 | | | | 1 | | | | | | |
| DOOR PULL | | | 1 | 1 | | | | 1 | | | | |
| BALL CATCH | | | 1 | 1 | | | | 1 | | | | |
| SPRING CLOSE | | | 2 | 2 | | | | 4 | | | | |
| BARREL BOLT | | | 1 | | | | 1 | 2 | | | | |
| ASTRIGAL | | | | | | | 1 | 1 | | | | |
| DOOR SWEEP | 1 | 1 | 1 | 1 | | | 2 | 2 | | | | |
| SLAM LATCH | | | | | | | | | 1 | 1 | 1 | 1 |
| SLAM LATCH STRIKE | | | | | | | | | 1 | 1 | 1 | 1 |
| INTERIOR HANDLE-STANDARD | | | | | | | | | 1 | 1 | | |
| INTERIOR HANDLE-BURN ROOM | | | | | | | | | | | 1 | 1 |
| LOCKING HANDLE | | | | | | | | | 1 | | 1 | |
| NON-LOCKING HANDLE | | | | | | | | | | | 1 | 1 |

| WINDOW SHUTTER SCHEDULE | | | | | | | | | | | |
|-------------------------|-----------------------------------|---------------------------|----------------------------|---------------------|----------------------|--------------------|-------|-------------------|--------------|--------------|-------------------------|
| OPENING NUMBER | TYPE | APPROXIMATE SHUTTER WIDTH | APPROXIMATE SHUTTER HEIGHT | ROUGH OPENING WIDTH | ROUGH OPENING HEIGHT | SILL HEIGHT A.F.F. | GAUGE | MATERIAL & FINISH | PAINT FINISH | HARDWARE SET | REMARKS |
| V1 | LOCKING NON-BURN ROOM SHUTTER | 3'-3" | 4'-0" | 3'-2" | 4'-1" | 42" | 12 | G90 | POWDER COAT | H9 | |
| V2 | LOCKING BURN ROOM SHUTTER | 3'-3" | 4'-0" | 3'-2" | 4'-1" | 42" | 12 | G90 | POWDER COAT | H11 | PADGENITE INTERIOR FACE |
| V3 | LOCKING ATTIC SHUTTER | 3'-3" | 3'-0" | 3'-2" | 3'-1" | 3" | 12 | G90 | POWDER COAT | H9 | |
| V4 | NON-LOCKING NON-BURN ROOM SHUTTER | 3'-3" | 4'-0" | 3'-2" | 4'-1" | 42" | 12 | G90 | POWDER COAT | H10 | |
| V5 | NON-LOCKING BURN ROOM SHUTTER | 3'-3" | 4'-0" | 3'-2" | 4'-1" | 42" | 12 | G90 | POWDER COAT | H12 | PADGENITE INTERIOR FACE |
| V6 | NON-LOCKING ATTIC SHUTTER | 3'-3" | 3'-0" | 3'-2" | 3'-1" | 3" | 12 | G90 | POWDER COAT | H10 | |

| HOLLOW METAL DOORS AND FRAMES SCHEDULE | | | | | | | | | | | | | | | | | | | | | |
|--|----------------|---------|----------------|----------|------|-------|--------|------------|--------------|------------|-------|---------|-------------------|--------|--------|-----------|-----------|--------------|-----------|-------|-------------------------|
| OPENING NUMBER | ROOM | FROM/TO | ROOM | GENERAL | | FRAME | | | | DOOR | | REMARKS | | | | | | | | | |
| | | | | QUANTITY | PAIR | WIDTH | HEIGHT | HAND/SWING | HARDWARE SET | FRAME TYPE | GAUGE | | MATERIAL & FINISH | DEPTH | THROAT | JAMB FACE | HEAD FACE | JAMB ANCHORS | DOOR TYPE | GAUGE | MATERIAL & FINISH |
| 101 | EXTERIOR | F | STAIR TOWER | 1 | -- | 3'-0" | 7'-0" | RHR | H1 | I | 16 | A60 | 4-3/4" | 3-3/4" | 1" | 1" | ED | F | 18 | A60 | |
| 102 | STAIR TOWER | F | SECTION A | 1 | -- | 3'-0" | 7'-0" | LH | H2 | I | 16 | A60 | 4-3/4" | 3-3/4" | 1" | 1" | ED | F | 18 | A60 | |
| 103 | SECTION A | F | SECTION B | 1 | -- | 3'-0" | 7'-0" | RH | H2 | I | 16 | A60 | 4-3/4" | 3-3/4" | 1" | 1" | ED | F | 18 | A60 | |
| 104 | SECTION A | F | ELEVATOR SHAFT | 1 | -- | 3'-0" | 7'-0" | RH | H2 | I | 16 | A60 | 4-3/4" | 3-3/4" | 1" | 1" | ED | F | 18 | A60 | |
| 105 | EXTERIOR | F | SECTION B | 1 | PR | 3'-0" | 7'-0" | RHA | H7 | II | 16 | A60 | 4-3/4" | 3-3/4" | 1" | 1" | ED | F | 18 | A60 | |
| 106 | EXTERIOR | F | SECTION B | 1 | -- | 3'-0" | 7'-0" | RHR | H1 | I | 16 | A60 | 4-3/4" | 3-3/4" | 1" | 1" | ED | F | 18 | A60 | |
| 107 | SECTION B | F | SECTION C | 1 | -- | 3'-0" | 7'-0" | LH | H4 | I | 16 | A60 | 4-3/4" | 3-3/4" | 1" | 1" | ED | F | 18 | A60 | PADGENITE INTERIOR FACE |
| 108 | EXTERIOR | F | SECTION C | 1 | -- | 3'-0" | 7'-0" | LH | H3 | I | 16 | A60 | 4-3/4" | 3-3/4" | 1" | 1" | ED | F | 18 | A60 | PADGENITE INTERIOR FACE |
| 201 | STAIR TOWER | F | SECTION A | 1 | -- | 3'-0" | 7'-0" | LH | H2 | V | 16 | A60 | 4-3/4" | 3-3/4" | 1" | 1" | ED | F | 18 | A60 | |
| 202 | SECTION A | F | SECTION B | 1 | -- | 3'-0" | 7'-0" | RH | H2 | V | 16 | A60 | 4-3/4" | 3-3/4" | 1" | 1" | ED | F | 18 | A60 | |
| 203 | SECTION A | F | BURN ROOM #2 | 1 | -- | 3'-0" | 7'-0" | RH | H4 | V | 16 | A60 | 4-3/4" | 3-3/4" | 1" | 1" | ED | F | 18 | A60 | PADGENITE INTERIOR FACE |
| 204 | EXTERIOR | F | SECTION A | 1 | -- | 3'-0" | 7'-0" | LHR | H1 | V | 16 | A60 | 4-3/4" | 3-3/4" | 1" | 1" | ED | F | 18 | A60 | |
| 205 | SECTION A | F | ELEVATOR SHAFT | 1 | -- | 3'-0" | 7'-0" | LHR | H5 | VIII | 16 | A60 | 4-3/4" | 3-3/4" | 1" | 1" | ED | F | 18 | A60 | |
| 206 | EXTERIOR | F | BURN ROOM #2 | 1 | -- | 3'-0" | 7'-0" | LH | H3 | V | 16 | A60 | 4-3/4" | 3-3/4" | 1" | 1" | ED | F | 18 | A60 | PADGENITE INTERIOR FACE |
| 207 | SECTION B | F | BURN ROOM #2 | 1 | -- | 3'-0" | 7'-0" | LH | H4 | V | 16 | A60 | 4-3/4" | 3-3/4" | 1" | 1" | ED | F | 18 | A60 | PADGENITE INTERIOR FACE |
| 301 | STAIR TOWER | F | SECTION A | 1 | -- | 3'-0" | 7'-0" | LH | H2 | V | 16 | A60 | 4-3/4" | 3-3/4" | 1" | 1" | ED | F | 18 | A60 | |
| 302 | EXTERIOR | F | SECTION A | 1 | -- | 3'-0" | 7'-0" | RHR | H1 | V | 16 | A60 | 4-3/4" | 3-3/4" | 1" | 1" | ED | F | 18 | A60 | |
| 303 | SECTION A | F | ELEVATOR SHAFT | 1 | -- | 3'-0" | 7'-0" | LHR | H5 | VIII | 16 | A60 | 4-3/4" | 3-3/4" | 1" | 1" | ED | F | 18 | A60 | |
| 401 | STAIR TOWER | F | BURN ROOM #3 | 1 | -- | 3'-0" | 7'-0" | LH | H4 | V | 16 | A60 | 4-3/4" | 3-3/4" | 1" | 1" | ED | F | 18 | A60 | PADGENITE INTERIOR FACE |
| 402 | SECTION A | F | BURN ROOM #3 | 1 | -- | 3'-0" | 7'-0" | RH | H4 | V | 16 | A60 | 4-3/4" | 3-3/4" | 1" | 1" | ED | F | 18 | A60 | PADGENITE INTERIOR FACE |
| 403 | EXTERIOR | F | SECTION A | 1 | -- | 3'-0" | 7'-0" | LHR | H1 | V | 16 | A60 | 4-3/4" | 3-3/4" | 1" | 1" | ED | F | 18 | A60 | |
| 404 | SECTION A | F | ELEVATOR SHAFT | 1 | -- | 3'-0" | 7'-0" | LHR | H5 | VIII | 16 | A60 | 4-3/4" | 3-3/4" | 1" | 1" | ED | F | 18 | A60 | |
| 501 | STAIR TOWER | F | SECTION A | 1 | -- | 3'-0" | 7'-0" | LH | H2 | V | 16 | A60 | 4-3/4" | 3-3/4" | 1" | 1" | ED | F | 18 | A60 | |
| 502 | EXTERIOR | F | SECTION A | 1 | -- | 3'-0" | 7'-0" | RHR | H1 | V | 16 | A60 | 4-3/4" | 3-3/4" | 1" | 1" | ED | F | 18 | A60 | |
| 503 | SECTION A | F | ELEVATOR SHAFT | 1 | -- | 3'-0" | 7'-0" | LHR | H5 | VIII | 16 | A60 | 4-3/4" | 3-3/4" | 1" | 1" | ED | F | 18 | A60 | |
| 601 | SECTION A ROOF | F | STAIR TOWER | 1 | -- | 3'-0" | 7'-0" | LHR | H1 | V | 16 | A60 | 4-3/4" | 3-3/4" | 1" | 1" | ED | F | 18 | A60 | |
| 602 | SECTION A ROOF | F | ELEVATOR SHAFT | 1 | -- | 3'-0" | 7'-0" | LHR | H5 | VIII | 16 | A60 | 4-3/4" | 3-3/4" | 1" | 1" | ED | F | 18 | A60 | |



RAPPELLING ANCHOR INSTALLATION DETAILS
NOT TO SCALE

trainingtowers.com
A DIV. OF J.S.C. INC.
9121 BOND OVERLAND PARK, KS 66214
TEL 913-365-3663 FAX: 913-365-7078
TOLL FREE 1-800-351-2525 www.trainingtowers.com

HIGH RISE - SIX STORY
FIRE TRAINING SIMULATOR
FIRE DEPARTMENT TRAINING SIMULATOR

THIS INFORMATION CONFORMS TO ALL APPLICABLE STANDARDS FOR THE TRAINING SIMULATORS AT THE TIME OF REVISION.
THE DESIGN CONTRACTOR ASSUMES RESPONSIBILITY FOR ALL MATERIALS, AT THE TIME OF DESIGN. THIS CONTRACTOR IS ALSO RESPONSIBLE TO ACCORD TO ALL MATERIALS, AT THE TIME OF REVISION. IF THERE IS A DISCREPANCY IN THE MATERIALS, CONTACT THE MANUFACTURER IMMEDIATELY TO MAKE NECESSARY ARRANGEMENTS TO PROVIDE THE CORRECT MATERIAL.
THIS SET OF DRAWINGS IS INTENDED AS A GENERAL SET, PROVIDED FOR SECONDARY REFERENCE ONLY. REFER TO ALL OTHER DRAWINGS FOR CONSTRUCTION DETAILS AND THE NECESSARY MATERIALS, DIMENSIONS, DECIMALS AND PROCEDURES.
THESE DRAWINGS, SPECIFICATIONS, NOTES, DETAILS AND DIMENSIONS ARE AND SHALL REMAIN THE PROPERTY OF J.S.C. INC. AND SHALL BE KEPT IN CONFIDENCE BY ALL PERSONS AND FIRMS IN CONTACT WITH THE PROJECT. ANY REVISIONS TO THESE DRAWINGS SHALL BE MADE BY THE PROJECT ENGINEER OR HIS DESIGNATED REPRESENTATIVE. ANY REVISIONS SHALL BE MADE BY THE PROJECT ENGINEER OR HIS DESIGNATED REPRESENTATIVE. ANY REVISIONS SHALL BE MADE BY THE PROJECT ENGINEER OR HIS DESIGNATED REPRESENTATIVE.

| PROJECT NUMBER: | 00-W-000 | REVISION DATES: |
|-----------------|----------|-----------------|
| DRAWN BY: | PK | 1 |
| CHECKED BY: | PK | 1 |
| DATE: | 00-00-00 | 4 |

WINDOW CLOSURE DETAIL,
DOOR DETAIL, SCHEDULE,
AND RAPPELLING ANCHOR DETAIL